



OPERATOR'S MANUAL FOR
GEN-13000-1MSE
GEN-14000-1MHE
GENERATORS



201473



CAUTION

RISK OF INJURY! READ ENTIRE MANUAL BEFORE OPERATING!
THIS MANUAL IS AN IMPORTANT PART OF THE GENERATOR AND
MUST REMAIN WITH THIS UNIT!

Introduction

THANK YOU for purchasing a Mi-T-M product.

READ THIS MANUAL carefully to learn how to operate and service your machine correctly. Failure to do so could result in personal injury or equipment damage.

THIS MANUAL SHOULD BE CONSIDERED a permanent part of your machine and should remain with the machine when you sell it.

MEASUREMENTS in this manual are given in both metric and customary U.S. unit equivalents. Use only correct replacement parts and fasteners. Metric and inch fasteners may require a specific metric or inch wrench.


RIGHT HAND AND LEFT HAND sides are determined by facing the motor end of the machine.

The SERIAL NUMBER is located in the Specification or Identification Numbers section. Accurately record all the numbers to help in tracing the machine should it be stolen. Your dealer also needs these numbers when you order parts. File the identification numbers in a secure place off the machine.


WARRANTY is provided from your dealer for customers who operate and maintain their equipment as described in this manual. The warranty is explained on the warranty certificate shown in this manual.

This warranty provides you the assurance that your dealer will back products where defects appear within the warranty period. Should the equipment be abused, or modified to change its performance beyond the original factory specifications, the warranty will become void.

WARNING

 **WARNING:** This product can expose you to chemicals including Lead, which is known to the State of California to cause cancer and birth defects or other reproductive harm. For more information go to www.P65Warnings.ca.gov

WARNING

 **WARNING:** This product can expose you to chemicals including carbon monoxide, which is known to the State of California to cause birth defects or other reproductive harm. For more information go to www.P65Warnings.ca.gov

Contents

	Page
Safety	5
Safety Signs	6
Controls	13
Preparing the Generator	14
Operation	18
Troubleshooting	22
Service	23
Storage	29
Specifications	30
Warranty	31-33

All information, illustrations and specifications in this manual are based on the latest information available at the time of publication. The right is reserved to make changes at any time without notice.

Contents

Safety

RECOGNIZE SAFETY INFORMATION

This is the safety alert symbol. When you see this symbol on your machine or in this manual, be alert to the potential for personal injury.

Follow recommended precautions and safe operating practices.



UNDERSTAND SIGNAL WORDS

A signal word--DANGER, WARNING or CAUTION--is used with the safety-alert symbol. DANGER identifies the most serious hazards.

DANGER or WARNING safety signs are located near specific hazards. General precautions are listed on CAUTION safety signs. CAUTION also calls attention to safety messages in this manual.



FOLLOW SAFETY INSTRUCTIONS

Carefully read all safety messages in this manual and safety signs on your machine. Keep safety signs in good condition. Replace missing or damaged safety signs. Be sure new equipment components and repair parts include the current safety signs. Replacement safety signs are available from your Mi-T-M Customer Service Representative.

Learn how to operate the machine and how to use controls properly. Do not let anyone operate without instruction.

Keep your machine in proper working condition. Unauthorized modifications to the machine may impair the function and/or safety and affect machine life.

If you do not understand any part of this manual and need assistance, contact your Mi-T-M Customer Service Representative.





CARBON MONOXIDE - POISONOUS GAS

Use generator outdoors, away from open windows, vents, or doors.

Generator exhaust contains carbon monoxide - a poisonous gas that can kill you. You **CAN NOT** smell or see this gas.

Never use a generator in enclosed or partially-enclosed spaces. Generators can produce high levels of carbon monoxide very quickly. When you use a portable generator, remember that you cannot smell or see carbon monoxide. Even if you can't smell exhaust fumes, you may still be exposed to carbon monoxide.

If you start to feel sick, dizzy, or weak while using a generator, get to fresh air **RIGHT AWAY**. **DO NOT DELAY**. The carbon monoxide from generators can rapidly lead to full incapacitation and death.

If you experience serious symptoms, get medical attention immediately. Inform medical staff that carbon monoxide poisoning is suspected. If you experienced symptoms while indoors, have someone call the fire department to determine when it is safe to re-enter the building.

NEVER operate the generator in an explosive atmosphere, near combustible materials or where ventilation is not sufficient to carry away exhaust fumes. **Exhaust fumes can cause serious injury or death.**

NEVER use a generator indoors, including in homes, garages, basements, crawl spaces, and other enclosed or partially-enclosed areas, even with ventilation. Opening doors and windows or using fans will not prevent carbon monoxide build-up in the home.

Follow the instructions that come with your generator. Locate the unit outdoors and away from doors, windows, and vents that could allow the carbon monoxide gas to come indoors.

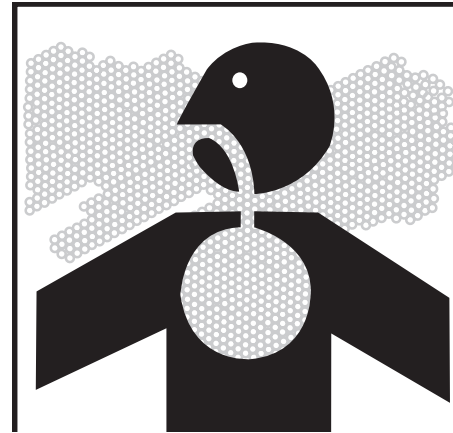
ONLY run generator outdoors and away from air intakes.

NEVER run generator inside homes, garages, sheds, or other semi-enclosed spaces. These spaces can trap poisonous gases **EVEN IF** you run a fan or open doors and windows.

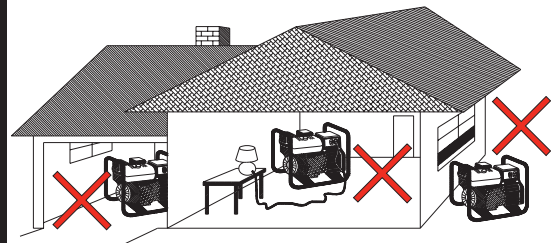
If you start to feel sick, dizzy, or weak while using the generator, shut it off and get fresh air **RIGHT AWAY**. See a doctor. You may have carbon monoxide poisoning.

Install battery-operated carbon monoxide alarms or plug-in carbon monoxide alarms with battery back-up in your home, according to the manufacturer's installation instructions. The carbon monoxide alarms should be certified to the requirements of the latest safety standards for carbon monoxide alarms. (UL 2034, IAS 6-96, or CSA 6.19.01).

Test your carbon monoxide alarm frequently and replace dead batteries.



DANGER / PELIGRO



• DO NOT USE INDOORS OR OUTSIDE OPEN WINDOWS FUMES CAN KILL YOU!
• NE PAS UTILISER À L'INTÉRIEUR OU À L'EXTÉRIEUR DES FENÊTRES OUVERTES. LES VAPEURS DE GAZ PEUVENT VOUS TUER!
• ¡NO USE ADENTRO O AFUERA DE VENTANAS ABIERTAS LOS GASES PUEDEN MATARLE!

34-1563-E/F/S-062104-ENG.



SAFETY WARNING WHEN REFUELING

Gasoline is extremely flammable and its vapors can explode if ignited.

Observe all safety regulations for the safe handling of fuel. Handle fuel in safety containers. If the container does not have a spout, use a funnel.

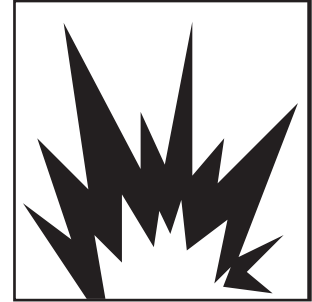
Do not overfill the fuel tank, leave room for the fuel to expand.

Do not refill fuel tank while the engine is running. Before refueling the generator, turn it off and let it cool down. Gasoline spilled on hot engine parts could ignite.

Fill the tank only on an area of bare ground. While fueling the tank, keep heat, sparks and open flame away. Carefully clean up any spilled fuel before starting engine.

Always fill fuel tank in an area with plenty of ventilation to avoid inhaling dangerous fumes.

NEVER store fuel for your generator in the home. Gasoline, propane, kerosene, and other flammable liquids should be stored outside of living areas in properly-labeled, non-glass safety containers. Do not store them near a fuel-burning appliance, such as a natural gas water heater in a garage. If the fuel is spilled or the container is not sealed properly, invisible vapors from the fuel can travel along the ground and can be ignited by the appliance's pilot light or by arcs from electric switches in the appliance.



GROUND FAULT CIRCUIT INTERRUPTER PROTECTION

These generators are equipped with three GFCI (Ground Fault Circuit Interrupters) 120V duplex receptacles for protection against the hazards of electrical shock from defective attachments such as, tools, cords, and cables.



WARNING: The GFCIs may not function unless the generator is properly grounded. Follow the correct procedure specified in the section labeled "GROUNDING INSTRUCTIONS"

A GFCI is a device that interrupts electricity from either the utility or generator by means of a special type of circuit breaker if a fault current flow to the ground occurs.



WARNING: Only the 120V Duplex Receptacles are protected by the GFCI.

A GFCI can be used only with generators that have the neutral wire internally bonded to the frame, and the frame properly grounded to the earth. A GFCI will not work on generators that do not have the neutral wire bonded to the frame, or on generators which have not been properly grounded. All Mi-T-M generators have internally bonded ground wires. A GFCI will not work if the unit is not properly grounded.

A GFCI may be required by OSHA regulations, the National Electric Code and/or local and federal codes when operating a generator.

For additional protections against shock hazards due to defective equipment attached to the twist-lock receptacles, consider the use of a GFCI on each of these receptacles as well.

GFCIs and GFCI protected cord sets and cables may be purchased from local electrical supply houses.



ELECTRICAL HAZARDS

This product must be grounded. It has permanent conductor between the generator (stator winding) and the frame. If it should malfunction or breakdown, grounding provides a path of least resistance for electric current to reduce the risk of electric shock.



DANGER - IMPROPER CONNECTION OF THE EQUIPMENT-GROUNDING CONDUCTOR CAN RESULT IN A RISK OF ELECTROCUTION. CHECK WITH A QUALIFIED ELECTRICIAN OR SERVICE PERSON IF YOU ARE IN DOUBT AS TO WHETHER THE UNIT IS PROPERLY GROUNDED.

This generator is equipped with a grounding terminal for your protection. Always complete the ground path from the generator to an external ground source as instructed in the section labeled "Grounding Instructions" in the Preparation section of this manual.

The generator is a potential source of electrical shock if not kept dry. Keep the generator dry and do not use in rain or wet conditions. To protect from moisture, operate it on a dry surface under an open, canopy-like structure. Dry your hands if wet before touching the generator.

Risk of electric shock if you operate this generator with a faulty GFCI (Ground Fault Circuit Interrupter). Test GFCI before each use, see Operations Instructions for further information. If GFCI fails test, DO NOT use your generator. Contact your Mi-T-M Customer Service Representative.

Plug appliances directly into the generator. Or, use a heavy duty, outdoor-rated extension cord that is rated (in watts or amps) at least equal to the sum of the connected appliance loads. Check that the entire cord is free of cuts or tears and that the plug has all three prongs, especially a grounding pin.

NEVER try to power the house wiring by plugging the generator into a wall outlet, a practice known as "back feeding". This is an extremely dangerous practice that presents an electrocution risk to utility workers and neighbors served by the same utility transformer. It also bypasses some of the built-in household circuit protection devices.

If you must connect the generator to the house wiring to power appliances, have a qualified electrician install the appropriate equipment in accordance with local electrical codes. Or, check with your utility company to see if it can install an appropriate power transfer switch.

For power outages, permanently installed stationary generators are better suited for providing backup power to the home. Even a properly connected portable generator can become overloaded. This may result in overheating or stressing the generator components, possibly leading to a generator failure.





IMPORTANT SAFETY INSTRUCTIONS

WARNING: To reduce the risk of injury, read this operator's manual completely before using. When using this product, the following basic precautions should always be followed:

1. Read all the instructions before using the product.
2. This product is equipped with a Ground Fault Circuit Interrupter (GFCI) in the power cord to reduce the risk of electrical shock. If replacement of the plug or cord is needed, use only identical replacement parts.
3. Do not allow children or untrained persons to operate the generator.
4. Do not operate the generator when fatigued or under the influence of drugs or chemicals. Stay alert. Watch what you are doing.
5. Follow the maintenance instructions specified in this manual.
6. Block the wheels to prevent the unit from moving while operating. Always make sure the unit is level and properly grounded.
7. Be sure the switch on electric power tools is in the "OFF" position before plugging them into the generator.
8. Keep the immediate area free of all bystanders.
9. Be sure each person who operates this generator is properly instructed in its safe operation.





IMPORTANT SAFETY INSTRUCTIONS

10. Do not operate the generator or any electrical tool in any area where water or similar materials constitute an electrical hazard to the operator. **Do not operate on wet surfaces, in rain or in snow.**
11. Always be sure that the generator is on secure footing so that it cannot slide or shift around, endangering workers.
12. Avoid contacting the hot exhaust manifold, muffler or cylinder(s). Keep clear of all rotating parts.
13. Unless the tool or appliance is double insulated, it must be grounded through a properly grounded receptacle. (See Preparing the Generator, Grounding Instructions). Tools and appliances which have 3 prong plugs must be plugged into extension cords and electrical receptacles with 3 holes. Before operating any electrical item, be sure it is in good repair.
14. Follow instructions in this manual when testing Ground Fault Circuit Interrupter to insure reliable operation.
15. **Beware of using this equipment in confined spaces.** Confined spaces, without sufficient fresh air ventilation, can contain dangerous gases. Running gasoline engines in such environments can lead to deadly explosions and/or asphyxiation.



SAVE THESE INSTRUCTIONS



WEAR PROTECTIVE CLOTHING

Wear close fitting clothing and safety equipment appropriate to the job.

Wear a suitable hearing protective device such as earmuffs or earplugs to protect against objectionable or uncomfortable loud noises.

Operating equipment safely requires the full attention of the operator. Do not wear radio or music headphones while operating machine.

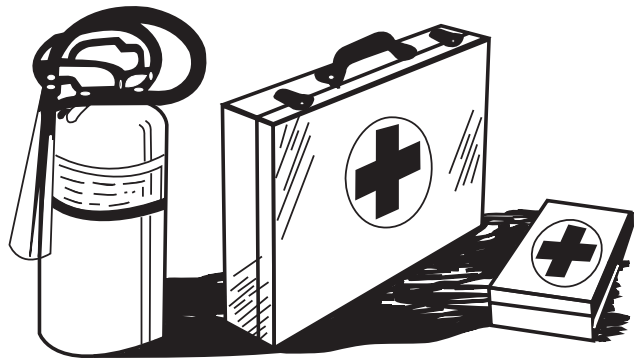


PREPARE FOR EMERGENCIES

Keep a first aid kit and fire extinguisher handy.

Keep emergency numbers for doctors, ambulance service, hospital and fire department near your telephone.

Be prepared if a fire starts.



INSPECT GENERATOR

Be sure all covers, guards and shields are tight and in place.

Locate all operating controls and safety labels.

Inspect power cord for damage before using. There is a hazard of electrical shock from crushing, cutting or heat damage.

SERVICE GENERATOR SAFELY

Before servicing the generator, disconnect all equipment and battery (if equipped) and allow unit to cool down.

Service generator in a clean dry flat area. Engage the brake to prevent the unit from moving.



SAFETY SIGNS



34-0889

Location: Frame Assembly

⚠ WARNING	⚠ AVERTISSEMENT	⚠ ADVERTENCIA
<p>SHOCK</p> <p>A generator is a potential shock hazard which can result in serious injury or death.</p> <ul style="list-style-type: none"> Generator must be kept dry. Do NOT operate unit with wet hands. Generator MUST be grounded before use. See operators manual for specific instructions. Use extreme caution when refueling unit. GFCI receptacles must be tested before each use. See operators manual. Always keep generator four (4) feet from any structure. Always remove refueling gas can from generator area. 	<p>DÉCHARGE</p> <p>Un générateur pose un danger de décharge électrique qui peut entraîner des blessures graves ou la mort.</p> <ul style="list-style-type: none"> Le générateur doit être maintenu au sec. Ni PAS utiliser le générateur avec les mains mouillées. Le générateur doit être mis à la terre avant de l'utiliser. Consulter le manuel de l'utilisateur pour des instructions spécifiques. Soyez extrêmement prudent lors du ravitaillement en carburant de cet appareil. Les prises GFCI doivent être testées avant chaque utilisation. Voir le manuel de l'utilisateur. Placer toujours le générateur à une distance d'au moins quatre pieds (1m Z2) de toute structure. Enlever toujours le bidon de ravitaillement en essence de l'endroit où se trouve le générateur. 	<p>DESCARGA</p> <p>Un generador es un potencial riesgo de descarga que puede resultar en lesiones graves o muerte.</p> <ul style="list-style-type: none"> Generadores tienen que mantener secos. No opere esta unidad con manos mojadas. Generator TIENE que sea conectado a tierra antes de uso. Vea manual de operador para instrucciones específicas. Use caución extremo cuando rellenando esta unidad. GFCI recipientes tienen que tener un examen antes de cada uso. Vea manual de operador. Siempre mantenga el generador cuatro (4) pies de alga estructura. Siempre quite lata de gasolina de rellenando de area de generador. <p style="text-align: right; font-size: small;">34-2226-EF/IS-081908</p>

34-2226

Location: Top of Electric Box

OPERATION	D'UTILISATION	OPERACIÓN
<p>Read Operator's Manual carefully before operating unit. Always make sure unit is level and properly grounded. Check engine oil before starting. See instructions located in operator's manual for starting procedure.</p> <p>START-UP:</p> <ol style="list-style-type: none"> Turn idle control switch to OFF position. Move choke lever to full choke. Turn the engine key to the START position, hold until engine starts. When the engine starts, release key, allowing it to return to the ON position. Slowly move choke lever to no choke. Allow unit to run two (2) minutes to warm-up. Turn idle control switch to ON position. Loads can now be applied to unit. <p>SHUT-DOWN:</p> <ol style="list-style-type: none"> Remove all load by turning off electrical appliances and unplugging electric cords. Allow engine to run at idle speed to cool two (2) minutes. Not allowing engine to cool may result in damage to unit. Turn the engine key to the OFF position. <p>TEST GFCI RECEPTACLE(S) BEFORE EACH USE. SEE OPERATORS MANUAL FOR INSTRUCTIONS.</p>	<p>Lire soigneusement le manuel de l'utilisateur avant de se servir de l'appareil. S'assurer toujours que l'appareil est sur une surface plane et qu'il est correctement relié à la terre. Vérifier le niveau d'huile du moteur avant le démarrage. Suivre les instructions qui se trouvent dans le manuel de l'utilisateur dans la section démarrage.</p> <p>DEMARRAGE:</p> <ol style="list-style-type: none"> Tourner l'interrupteur de la commande de ralenti sur la position arrêt (OFF). Placer la manette du starter en position maximum. Placer la clé sur la position DEMARRAGE et la maintenir sur cette position jusqu'à ce que le moteur démarre. Lorsque le moteur démarre, relâcher la clé et la laisser revenir sur la position MARCHÉ. Ramener doucement la manette du starter en position fermée. Permettre à l'appareil de tourner pendant deux (2) minutes pour qu'il se réchauffe. Tourner l'interrupteur de la commande de ralenti sur la position marche (ON). L'appareil peut maintenant prendre des charges. <p>TESTER LA (LES) PRISE (S) GFCI AVANT CHAQUE UTILISATION. VOIR LE MANUEL DE L'UTILISATEUR POUR LES INSTRUCTIONS À SUIVRE.</p>	<p>Lea manual de operador antes de operar esta unidad. Siempre asegúrese que unidad sea plana y conecte a tierra correcto. Revise el aceite de motor antes de empezando. Vea instrucciones que están en manual de operador para procedimiento de empezando.</p> <p>OPERACIÓN:</p> <ol style="list-style-type: none"> Doble el interruptor del control de flojejar a posición de OFF. Mueva palanca de choke a choke completo. Gire la llave a la posición START, y reláxala ahí durante hasta que se ponga en marcha el motor. Cuando el motor se ponga en marcha, suelte la llave dejándola que retorne a la posición ON. Mueva muy despacio la palanca de choke a no choke. Permite la unidad a opere por dos (2) minutos para precalentamiento. Si unidad tiene control de flojejar a posición de ON. Ahora cargas pueden aplicar a la unidad. <p>EXAMINE GFCI RECIPIENTES ANTES DE CADA USO. VEA MANUAL DE OPERADOR PARA INSTRUCCIONES.</p> <p style="text-align: right; font-size: small;">34-2227-EF/IS-081908</p>

34-2227

Location: Top of Electric Box

Controls

CONTROLS



A -- Control Panel
B -- Brake

C -- Fuel Tank
D -- Muffler

E -- Lift Hook

Preparing the Generator

GROUNDING INSTRUCTIONS

This product must be grounded. If it should malfunction or breakdown, grounding provides a path of least resistance for electric current to reduce the risk of electric shock.



DANGER - IMPROPER CONNECTION OF THE EQUIPMENT-GROUNDING CONDUCTOR CAN RESULT IN A RISK OF ELECTROCUTION. CHECK WITH A QUALIFIED ELECTRICIAN OR SERVICE PERSON IF YOU ARE IN DOUBT AS TO WHETHER THE UNIT IS PROPERLY GROUNDED.

The wing nut and ground terminal on the frame must always be used to connect the generator to a suitable ground source. The ground path should be made with #8 size wire. Connect the terminal of the ground wire between the two star washers and wing nut then tighten the wing nut fully. Connect the other end of the wire securely to a suitable ground source.

The National Electric Code contains several practical ways in which to establish a good ground source. Examples given below illustrate a few of the ways in which a good ground source may be established.

A metal underground water pipe in direct contact with the earth for at least 10 feet can be used as a grounding source. If an pipe is unavailable, an 8 foot length of pipe or rod may be used as the ground source. The pipe should be 3/4 inch trade size or larger and the outer surface must be noncorrosive. If a steel or iron rod is used it should be at least 5/8 inch diameter and if a nonferrous rod is used it should be at least 1/2 inch diameter and be listed as material for grounding. Drive the rod or pipe to a depth of 8 feet. If a rock bottom is encountered less than 4 feet down, bury the rod or pipe in a trench. All electrical tools and appliances operated from this generator, must be properly grounded by use of a third wire or be "Double Insulated".

It is recommended to:

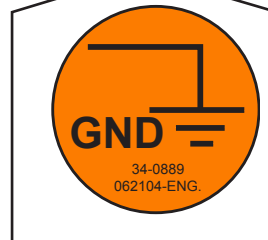
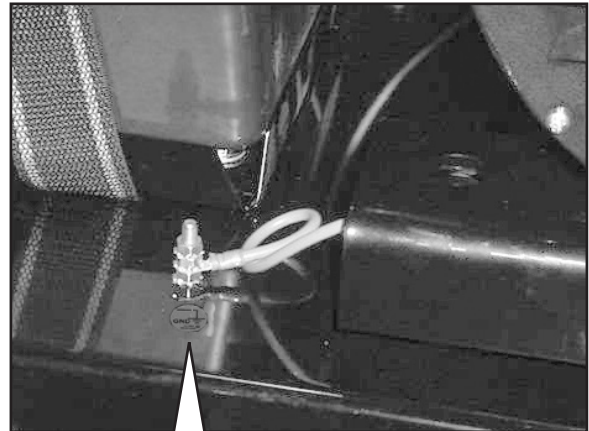
1. Use electrical devices with 3 prong power cords.
2. Use an extension cord with a 3 hole receptacle and a 3 prong plug at the opposite ends to ensure continuity of the ground protection from the generator to appliance.

We strongly recommend that all applicable federal, state and local regulations relating to grounding specifications be checked and followed.

LINE TRANSFER SWITCH

If this generator is used for standby service, it must have a transfer switch between the utility power service and the generator. The transfer switch not only prevents the utility power from feeding into the generator, but is also prevents the generator from feeding out into the utility company's lines. This is intended to protect the serviceman who may be working on a damaged line.

THIS INSTALLATION MUST BE DONE BY A LICENSED ELECTRICIAN AND ALL LOCAL CODES MUST BE FOLLOWED.

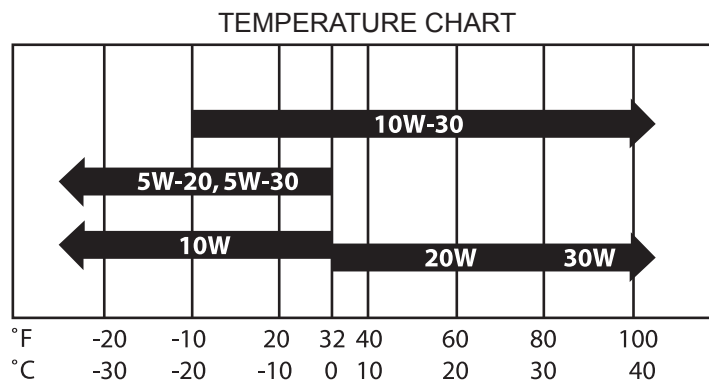


ENGINE OIL

Oil is a major factor affecting performance and service life. Use 4-stroke automotive detergent oil.

Recommended Oil: Use 4-stroke motor oil that meets or exceeds the requirements for API service classification SJ, SL, or equivalent. Always check the API service label on the oil container to be sure it includes the letters SJ, SL, or equivalent.

SAE 10W-30 is recommended for general use. Other viscosities shown in the chart may be used when the average temperature in your area is within the indicated range. (Fig. 1)



(Fig. 1)



CAUTION: THIS ENGINE CRANKCASE IS NOT FILLED WITH OIL AT THE FACTORY, SO BE SURE TO FILL IT BEFORE OPERATING THE ENGINE.

ENGINE OIL CAPACITY

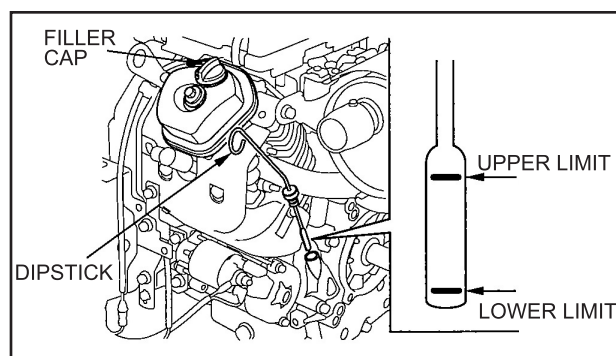
MODEL #	Liters	Quart	Ounces
GEN-13000-1MSE	1.5	1.6	52.5
GEN-14000-1MHE	1.8	1.9	60.9

To fill with oil:

1. Level the engine to ensure accurate inspection and to prevent overfilling.
2. Remove the dipstick and wipe it clean.
3. Fully insert the dipstick, then remove it to check the oil level.
4. If the oil level is low, remove the oil filler cap, and fill to the upper limit mark on the dipstick with the recommended oil. (Fig. 2)
5. Reinstall the dipstick and filler cap.

NOTE: Running the engine with a low oil level can cause engine damage.

The Oil Alert system (applicable types) will automatically stop the engine before the oil level falls below the safe limit. However, to avoid the inconvenience of an unexpected shutdown, always check the engine oil level before startup.



(Fig. 2)

FUELING



**WARNING: EXPLOSIVE FUEL!
GASOLINE IS EXTREMELY FLAMMABLE
AND ITS VAPORS CAN EXPLODE IF
IGNITED.**

**STORE GASOLINE ONLY IN APPROVED
CONTAINERS, IN WELL VENTILATED,
UNOCCUPIED BUILDINGS AND AWAY
FROM SPARKS OR FLAMES.**

**DO NOT FILL THE FUEL TANK WHILE THE
ENGINE IS HOT OR RUNNING, SINCE
SPILLED FUEL COULD IGNITE IF IT
COMES IN CONTACT WITH HOT PARTS OR
SPARKS FROM IGNITION. DO NOT START
THE ENGINE NEAR SPILLED FUEL.**

**NEVER USE GASOLINE AS A CLEANING
AGENT.**



**WARNING: DO NOT OVERFILL THE FUEL TANK,
LEAVE ROOM FOR THE FUEL TO EXPAND.**

General Recommendations

- Purchase gasoline in small quantities and store in clean, approved containers.
- To minimize gum deposits in your fuel system and to insure easy starting, do not use gasoline left over from the previous season.
- Do not add oil to the gasoline.

Fuel Type

- For best results use only clean, fresh, unleaded gasoline with a pump sticker octane rating of 87 or higher.
- Unleaded gasoline is recommended as it leaves less combustion chamber deposits.

GASOLINE/ALCOHOL BLENDS:

Gasohol (up to 10% ethyl alcohol, 90% unleaded gasoline by volume) is approved, as a fuel. Other gasoline/alcohol blends are not approved.

GASOLINE/ETHER BLENDS:

Methyl Tertiary Butyl Ether (MTBE) and unleaded gasoline blends (up to a maximum of 15% MTBE by volume) are approved as a fuel. Other gasoline/ether blends are not approved.

BATTERY INSTALLATION



WARNING: SHOULD ONLY BE DONE BY AN AUTHORIZED DEALER.

BATTERY REPLACEMENT

#32-1077

HIGH ALTITUDE

At high altitude, the standard carburetor air/fuel mixture will be too rich. Performance will decrease, and fuel consumption will increase. A very rich mixture will also foul the spark plug and cause hard starting. Operation at an altitude that differs from that at which this engine was certified, for extended periods of time, may increase emissions.

High altitude performance can be improved by specific modifications to the carburetor. If you always operate your generator at altitudes above 5,000 feet (1,500 meters), have your dealer perform this carburetor modification. This engine, when operated at high altitude with the carburetor modifications for high altitude use, will meet each emission standard throughout its useful life.

Even with carburetor modification, engine horsepower will decrease about 3.5% for each 1,000-foot (300-meter) increase in altitude. The effect of altitude on horsepower will be greater than this if no carburetor modification is made.

NOTE: *When the carburetor has been modified for high altitude operation, the air/fuel mixture will be too lean for low altitude use. Operation at altitudes below 5,000 feet (1,500 meters) with a modified carburetor may cause the engine to overheat and result in serious engine damage.*

For use at low altitudes, have your servicing dealer return the carburetor to original factory specifications.

Operation

OPERATION

NOTE: Read Operator's Manual carefully before operating this unit. Be certain to block the wheels to prevent the unit from moving while operating. Always make sure the unit is level and properly grounded. Check engine oil before starting.

1. Turn the idle control switch to the OFF position. (See Fig. 3)
2. Move choke lever to full choke. If re-starting a warm engine, the choke should be left in the off position. (See Fig. 4)
3. Turn the key to the START position, hold until engine starts.
4. When the engine starts, release key, allowing it to return to the ON position.

NOTE: Do not crank the engine continuously for more than 30 seconds at a time. If the engine does not start, allow for a 3 minute cool down period between starting attempts. Failure to follow these guidelines can damage the starter motor.

If the starter does not turn the engine over, shut off the starter immediately. Do not make further attempts to start the engine until the condition is corrected. Do not jump start using another battery.

5. Slowly move choke lever to no choke.
6. Allow unit to run two (2) minutes to warm-up.
7. Test the GFCI receptacle(s) on the unit. Push the test button. The reset button should pop out and there should be no power at the receptacle. Apply a test load or lamp to each receptacle to verify. IF THE RESET BUTTON DOES NOT POP OUT, DO NOT USE THE RECEPTACLES(S). SEE DEALER FOR SERVICE IMMEDIATELY.
8. If GFCI receptacle(s) test correctly, firmly push the reset button to restore power. A distinctive click should be heard or felt when this is complete. IF THE RECEPTACLE(S) DO NOT RESET PROPERLY, DO NOT USE THE RECEPTACLE(S). SEE DEALER FOR SERVICE IMMEDIATELY.
9. Turn idle control switch to ON position. Loads can now be applied to unit.

NOTE: This engine is equipped with a "Low Oil" shutdown system for engine protection. The engine stops when the oil level gets too low. The engine will not restart without adding oil. Refer to Preparing the Generator; Engine Fuel Capacity for instructions on adding oil.



(Fig. 3)



(Fig. 4)

SHUTDOWN

1. Remove all load by turning off electrical appliances and unplugging electric cords.
2. Allow engine to run at idle speed to cool for two (2) minutes.

NOTE: *Failure to allow the engine to cool at idle for two (2) minutes may result in damage to the generator.*

3. Turn the engine key to the OFF position.

CONTROLS

OIL WARNING DEVICE:

NOTE: *This engine is equipped with a “Low Oil” shutdown system for engine protection. The engine stops when the oil level gets too low. The engine will not restart without adding oil. If the unit is tilted too much during operation, it may suddenly stop even though the oil level is not low.*

Check the engine oil before restarting the engine. If the unit is tilted, level the engine, then check the oil before restarting the engine.

CONTROL PANEL :

The generators are equipped with the following items:

- Idle Control Switch
- Hour Meter
- Volt Meter
- Circuit Breakers
- Two 125 Volt, 20 Amp, Duplex (2 outlets), GFCI protected receptacles.
- One 125 Volt, 30 Amp, Locking Type Receptacle.
- One 125/250 Volt, 30 Amp, Locking Type Receptacle.
- One 125/250 Volt, 50 Amp, Locking Type Receptacle.

NOTE: *The 125 Volt, 30 Amp; 125/250 Volt, 30 Amp and 125/250 Volt, 50 Amp locking receptacles ARE NOT GROUND FAULT PROTECTED. If ground fault protection on these receptacles is necessary or desired, external protection devices must be used. Refer to the section on “Ground Fault Interrupter” for more information.*



WARNING: NEVER EXCEED THE RATING OF A RECEPTACLE. These receptacles are protected against overloads by resetting magnetic type circuit breakers. If a circuit breaker trips, the cause should be determined and corrected prior to continuing use.

CONTROLS

HOUR METER:

These generators are equipped with an hour meter that records run time for the unit. This is very useful in scheduling maintenance. See periodic maintenance chart for suggested maintenance schedule.

VOLT METER:

These generators are equipped with a volt meter. The volt meter is used to monitor the unit for proper voltage.

IDLE CONTROL OPERATION:

The idle control is factory installed. This electrical device is designed to let the engine run at fuel saving low idle speed when the generator is not loaded, and at full normal governed speed when a load is applied. The idle system overrides the engine governor to provide idle speed. When a load is applied, the electronic circuit reacts to de-energize the idle system so that the engine can resume full governed operating speed.

The idle control system controls the engine speed in the following manner:

1. With the idle control switch in the "OFF" position, start the engine.
2. After one or two minute warm up period, apply load and move the switch to the "ON" position. The engine will throttle back to idle speed following a 5-8 second delay.
3. When a load is applied to the generator, the idle control system becomes de-energized. The engine then accelerates to normal operating speed, controlled by the governor.
4. When the load is removed, the idle system becomes re-energized and throttles the engine back to idle speed after a 5-8 second delay.

NOTE: *While the engine is idling, the generator voltage is automatically reduced to reduce generator temperatures. The voltage will return to normal levels immediately upon the application of load.*

CONTROLS

CABLE SIZE:

Equipment damage can result from low voltage. Therefore, to prevent excessive voltage drop between the generator and the equipment, the cable should be of adequate gauge for the length used. The cable selection chart gives the maximum cable lengths for various gauges of wire which can adequately carry the loads shown.

CURRENT IN AMPS	LOAD IN WATTS		MAXIMUM CABLE LENGTH (FEET)				
	120 VOLTS	240 VOLTS	#8 WIRE	#10 WIRE	#12 WIRE	#14 WIRE	#16 WIRE
2.5	300	600		1000	600	375	250
5	600	1200		500	300	200	125
7.5	900	1800		350	200	125	100
10	1200	2400		250	150	100	50
15	1800	3600		150	100	65	
20	2400	4800	175	125	75	50	
25	3000	6000	150	100	60		
30	3600	7200	125	65			
40	4800	9600	90				

ELECTRIC MOTOR LOADS:

It is characteristic of common electric motors in normal operation to draw up to six times their running current while starting. This table may be used to estimate the watts required to start "CODE G" electric motors.



CAUTION: IF AN ELECTRIC MOTOR FAILS TO START OR REACH RUNNING SPEED, TURN OFF THE APPLIANCE OR TOOL IMMEDIATELY TO AVOID EQUIPMENT DAMAGE. ALWAYS CHECK THE REQUIREMENTS OF THE TOOL OR APPLIANCE BEING USED COMPARED TO THE RATED OUTPUT OF THE GENERATOR.

MOTOR (H.P.)	RUNNING WATTS	WATTS REQUIRED TO START MOTOR		
		REPULSION INDUCTION	CAPACITOR	SPLIT PHASE
1/8	275	600	850	1200
1/6	275	600	850	2050
1/4	400	850	1050	2400
1/3	450	975	1350	2700
1/2	600	1300	1800	3600
3/4	850	1900	2600	
1	1100	2500	3300	

Troubleshooting

Symptom

Problem

Solution

Engine will not start.

Engine switch is off.

Turn engine switch to the ON position.

Fuel Tank empty.

Fill tank per instructions in this manual.

Inadequate engine oil.

Check oil level. This engine is equipped with a low oil sensor. The engine cannot be started unless the oil level is above the prescribed lower limit.

No spark at spark plug.

Remove the spark plug cap. Clean any dirt from around the plug base, then remove the spark plug. Install the spark plug in the plug cap. Turn the engine switch on.

Grounding the electrode to any engine ground, pull the recoil starter to see if sparks jump across the gap. If there is no spark, replace the plug.

Reinstall the plug and start engine according to instructions in this manual.

Consult Mi-T-M Customer Service.

Generator has no output.

Circuit breakers tripped.

Reset circuit breakers.

Inadequate cord sets or extension cords.

Check cord sets or extension cords capabilities in section Controls; Cable Size in this manual. Consult Mi-T-M Customer Service.

Service

MAINTENANCE

Keep all air vents clear.
Keep the generator clean. DO NOT spray with water.
Periodically check all fasteners and tighten, see the periodic maintenance chart.

GFCI TEST RECORDS:

As with any other safety devices, the GFCIs supplied with these generators must be checked every month to insure that they are functioning properly. To test the GFCIs, follow the instructions and then enter the date of the test below.

1. With the generator running and the idle control switch in the "START" position, push the "TEST" button. The "RESET" button should pop out. This should result in the power being off at both outlets of the duplex receptacle. Verify this by plugging a test lamp into each outlet.



WARNING: IF THE RESET BUTTON DOES NOT POP OUT, DO NOT USE THE RECEPTACLE(S). SEE AUTHORIZED MI-T-M CUSTOMER SERVICE REPRESENTATIVE FOR SERVICE IMMEDIATELY.

2. If the GFCI test correctly, restore power by FIRMLY pushing the "RESET" button back in until you hear or feel a distinctive "click". IF THE GFCI FAILS TO RESET PROPERLY, DO NOT USE EITHER OUTLET OF THE DUPLEX RECEPTACLE. Have the unit serviced by an authorized Mi-T-M Customer Service Representative immediately.
3. High vibration or severe mechanical shock loads may cause the GFCIs to trip. IF EITHER GFCI TRIPS BY ITSELF AT ANY TIME, reset it and perform test procedures 1 and 2.
4. Repeat steps 1-3 for the second GFCI.



WARNING: ALTHOUGH THE ABOVE TEST PROCEDURES WILL INDICATE PROPER GFCI OPERATION ON AN UNGROUNDED OR IMPROPERLY GROUNDED GENERATOR, THE GENERATOR MUST STILL BE GROUNDED PER THE GROUNDING INSTRUCTIONS LISTED ON PAGE 14 FOR THE GFCI TO FUNCTION PROPERLY AND PROTECT THE USER FROM ELECTRICAL FAULTS.

Year	Jan.	Feb.	March	April	May	June	July	Aug.	Sept.	Oct.	Nov.	Dec.

NOTE: Situations exist where a GFCI will not afford any protection against the hazards of electrical shock. *EXAMPLE: if a person touches two or more conductors from a damaged cord set and is not in direct contact with the ground, he or she may receive a shock. Since there is no path to ground for a ground fault current to flow through, the GFCI will not operate and serious injury may result.*

The GFCI are merely an added safety feature. There are no substitutes for good safety precautions, correct electrical practices and proper maintenance of cords, equipment and connections.

MAINTENANCE

EVAPORATIVE EMISSION COMPONENTS:

The unit you have purchased includes the following components that are in compliance with California Air Resources Board Evaporative Emission Standards;

1. Fuel Hose
2. Fuel Hose Fittings
3. Fuel Tank and Cap
4. Carbon Canister and Mounting Brackets

These components should be inspected on a daily basis for cracks, leaks, and abnormal wear. If cracking, leaks or abnormal wear has occurred, the components should be replaced immediately.

IDLE CONTROL ADJUSTMENT:

NOTE: *The automatic idle speed is set between 2550 and 2950 RPM.*

The idle speed has been pre-set at the factory and should rarely require readjustment. We recommend that all adjustments of this nature be made by a Mi-T-M Customer Service Representative.

Erratic idle operation of the engine usually indicates a need for carburetor adjustment to provide a smooth idle. The idle control will not function properly when the idle speed is below the recommended limits or the carburetor is improperly adjusted.

**HAVE THE UNIT SERVICED BY AN AUTHORIZED
MI-T-M CUSTOMER SERVICE
REPRESENTATIVE.**

MAINTENANCE

ENGINE:

The engine for this generator is governed to operate at speeds close to 3600 RPM (60Hz) throughout the operating load range. The no load speed (before a load is applied) will be just a bit higher than the load speed and is normally set to 3750 RPM.



WARNING: DO NOT TAMPER WITH THE GOVERNOR MECHANISM, CHANGE THE SETTING EXPERIMENTALLY, OR PUSH THE THROTTLE OPEN IN AN ATTEMPT TO GENERATE MORE ELECTRICAL CURRENT; EQUIPMENT DAMAGE OR PERSONAL INJURY MAY RESULT.

GOVERNOR SPEED ADJUSTMENT SHOULD BE MADE ONLY BY A MI-T-M CUSTOMER SERVICE REPRESENTATIVE.

CHECKING ENGINE OIL:

Check oil level before each operation and ensure that it is maintained per Preparing the Generator; Engine Oil Capacity section.

CHANGING ENGINE OIL:

Change oil after the first 20 hours of operation. Thereafter it should be changed every 100 hours.

1. Make sure the unit is on level ground. Drain the used oil when the engine is warm. Warm oil drains quickly and completely.
2. Stop the engine.
3. Place a suitable container below the engine to catch the used oil, then remove the filler cap, drain bolt and washer. (See Fig. 5)



CAUTION: OIL BEING DRAINED MAY BE HOT. TO REDUCE THE RISK OF BURN INJURY, HANDLE WITH CARE. DISPOSE OF USED OIL PROPERLY.

4. Allow the used oil to drain completely, then reinstall the drain bolt and new washer, and tighten the drain bolt securely.

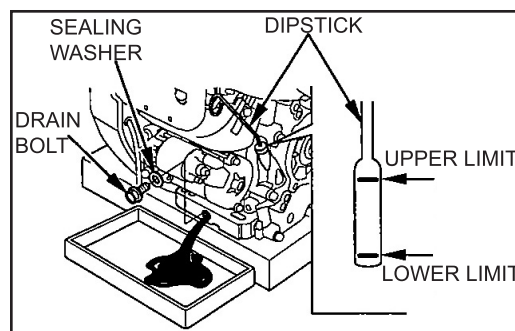
Dispose of used motor oil in a manner that is compatible with the environment. We suggest you take used oil in a sealed container to your local recycling center or service station for reclamation. Do not throw it in the trash, pour it on the ground, or down a drain.

5. With the engine in a level position, fill to the upper limit mark on the dipstick with the recommended oil.

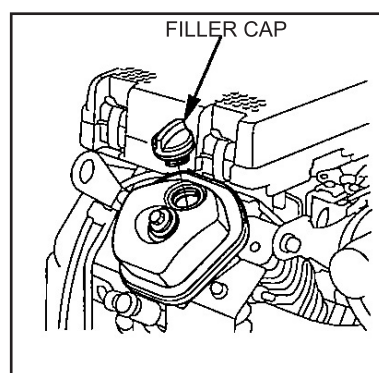
NOTE: Running the engine with a low oil level can cause engine damage.

The Oil Alert system (applicable types) will automatically stop the engine before the oil level falls below the safe limit. However, to avoid the inconvenience of an unexpected shutdown, fill to the upper limit, and check the oil level regularly.

6. Reinstall the filler cap and dipstick securely. (Fig. 6)



(Fig. 5)



(Fig. 6)

MAINTENANCE

AIR CLEANER:



WARNING: RISK OF FIRE OR EXPLOSION. DO NOT USE GASOLINE OR LOW FLASH-POINT SOLVENTS TO CLEAN THE ELEMENT. CLEAN THE ELEMENT IN A WELL VENTILATED AREA. ENSURE THAT NO SPARKS OR FLAMES ARE NEAR THE WORKING AREA, THIS INCLUDES ANY APPLIANCE WITH A PILOT LIGHT.



CAUTION: NEVER RUN THE ENGINE WITHOUT THE AIR FILTER, SERIOUS DANGER CAN RESULT.

Check the air cleaner daily or before starting the engine. Check for and correct heavy buildup of dirt and debris along with loose or damaged components.

1. Release the two latch tabs or remove the wing nut from the air cleaner cover, and remove the cover. (Fig. 7)
2. Remove the paper filter and foam filter element from the air cleaner case. (if applicable)
3. Remove the foam filter from the paper filter element.
4. Inspect air filter elements, and replace if damaged.
5. Clean the air filter elements if they are to be reused:

FOAM FILTER ELEMENT: Wash the foam filter element in warm water with detergent. Rinse the foam filter element thoroughly until all traces of detergent are eliminated. Squeeze out excess water, but do not wring. Allow the foam filter element to air dry.

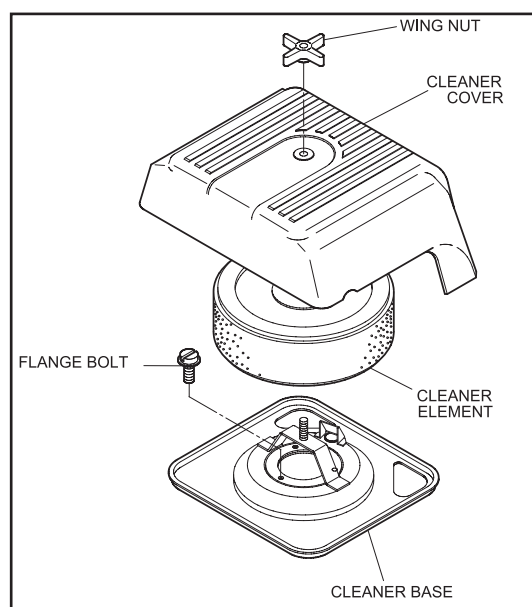
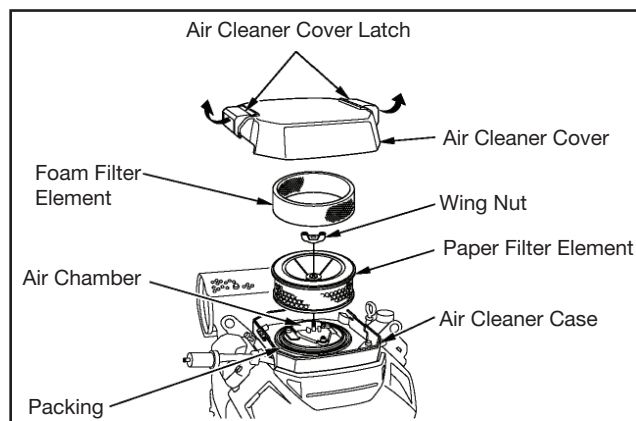
Saturate the foam filter element with new engine oil. Squeeze out all excess oil. **DO NOT** put engine oil on the foam damper.

NOTE: Clean the foam filter element every 25 hours of operation (more often under extremely dusty or dirty condition)

PAPER FILTER ELEMENT: Do not wash the paper filter element or use pressurized air, as this will damage the element. Clean by gently tapping the element to remove dust. Replace the element if damaged, bent or extremely dirty. Handle new element carefully; do not use if the sealing surfaces are bent or damaged.

NOTE: Replace the paper filter element every 100 hours (more often under extremely dusty conditions.)

6. Wipe dirt from the inside of the air cleaner body and cover, using a moist rag. Be careful to prevent dirt from entering the air chamber that leads to the carburetor.
7. Place the foam air filter element in the air cleaner cover. If applicable, reinstall the paper air filter element and cover to the air cleaner case. Replace cover securely.



(Fig. 7)

MAINTENANCE

CLEANING AND GAPPING SPARK PLUG:

If the plug is contaminated with carbon, remove it using a plug cleaner or wire brush.

Check the spark plug gap and reset it if necessary. The spark plug gaps are listed below. To change the gap, bend the side-electrode only, using a spark plug tool. (Fig. 8)

Install and tighten the spark plug. Connect the spark plug lead.

Recommended Spark Plug:

Engine	Subaru	Honda
Spark Plug	NGK BP6ES	NGK ZFR5F
Spark Plug Gap	0.7 - 0.8 mm (0.03 in.)	
Torque - New	8.7-10.9 ft-lb	
Torque - Retighten	16.6-19.5 ft-lb	

SPARK ARRESTOR:

If the generator has been running, the muffler will be very hot. Allow it to cool before proceeding.

NOTE: Remove and clean spark arrester every 100 hours or as necessary.

NOTE: Product users on United States forest service land, and in some states, must comply with fire prevention regulations.

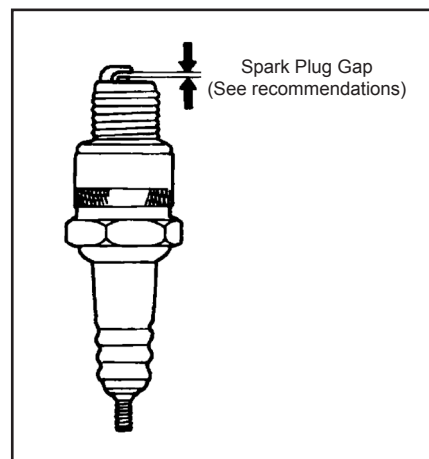
Clean the spark arrester as follows: (Fig. 9 and 10)

1. Remove the screw from the muffler and remove the spark arrester.
2. Use a brush to remove carbon deposits from the spark arrester screen. Be careful to avoid damaging the screen.

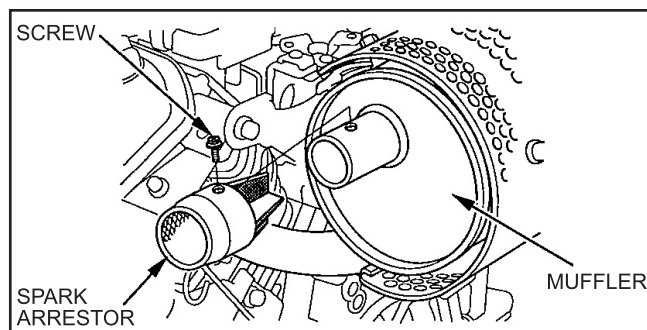
The spark arrester must be free of breaks and holes. Replace the spark arrester if it is damaged.

3. Install the spark arrester and muffler protector in the reverse order of disassembly.

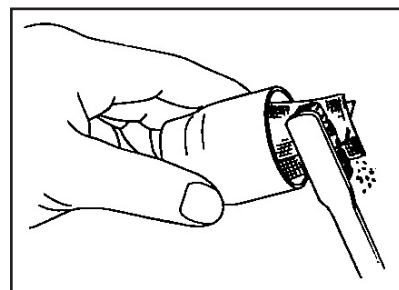
Spark arrestors are available from your local Mi-T-M Customer Service Representative. Other user requirements may apply, check with your Federal, State or local authorities.



(Fig. 8)



(Fig. 9)



(Fig. 10)

MAINTENANCE**PERIODIC MAINTENANCE CHART:**

To ensure satisfactory operation over an extended period of time, an engine requires normal maintenance at regular intervals. The Periodic Maintenance Chart below shows periodic inspection and maintenance items and suitable intervals. The bullet mark designates that the corresponding item should be performed at that interval.

NOTE: Some adjustments require the use of special tools or other equipment. An electronic tachometer will facilitate setting idle and running speeds.

	Daily	Every 25hrs.	Every 100 hrs.	Every 200 hrs.	Before Storage
Check fuel	•				
Check engine oil	•				
Check for loose or lost nuts and bolts	•				
Check for leaks	•				
Check cylinder and head fins for dust and dirt	•				
Check fuel lines (replace if necessary)	•				
Clean air cleaner foam element (**)		•			
Tighten nuts and bolts (*)			•		
Change engine oil (*)			•		
Clean fuel filter			•		
Replace air cleaner paper element (**)			•		
Clean dust and dirt from cylinder and cylinder head fins (**)			•		
Clean and regap spark plug				•	
Add fuel stabilizer					•
Run unit dry					•

* Perform these operations after the first 5 hours of use, then at the recommended intervals.

** Service more frequently under dusty conditions.

NOTE: These items must be performed with the proper tools. See your Mi-T-M Customer Service Representative for service, unless you have the proper equipment and mechanical proficiency.

Storage

STORING GENERATOR

SHORT TERM (1-6 months):

1. Add gasoline conditioner and stabilizer at the specified concentration.
2. Run the unit for two (2) minutes to ensure the mixed fuel is in the entire fuel system. Close the fuel valve and run the unit until it stops.
3. Remove the spark plug, pour 1-2 teaspoons (5-10cc) of engine oil into the cylinder, slowly pull the starter handle 2 or 3 times, reinstall the spark plug and tighten securely.
4. Clean the exterior surface of the generator and apply a rust inhibitor.
5. Store the generator in a dry, well ventilated place.

LONG TERM (More than 6 months):

1. Add gasoline conditioner and stabilizer at the specified concentration.
2. Run the generator until the fuel tank and carburetor are dry. As the engine is beginning to die, move the choke lever to the choke position.

NOTE: Turn off the idle control to decrease the run time.

3. Remove the spark plug, pour 1-2 teaspoons (5-10cc) of engine oil into the cylinder, slowly pull the starter handle 2 or 3 times, reinstall the spark plug and tighten securely.
4. Clean the exterior surface of the generator and apply a rust inhibitor.
5. Store the generator in a dry, well ventilated place.



WARNING: FUEL SHOULD BE DRAINED IN A WELL VENTILATED AREA AND STORED IN A CONTAINER APPROVED FOR GASOLINE.

Specifications

SPECIFICATIONS

ITEM	SPECIFICATION	
	GEN-14000-1MHE	GEN-13000-1MSE
Engine	Honda	Subaru
Watts (AC) Rated	14,000 watts	13,000 watts
Watts (AC) Max.	12,000 watts	11,500 watts
Rated Voltage (AC)	120/240V	120/240V
Max. Amperage	100/50	108.3/54.2
Cont. Amperage	83.3/41.7	95.8/47.9
Frequency	60	60
Fuel Tank Capacity	13.2 gal.	13.5 gal.
Run Time Hours / Tank of Fuel*	8.0 hrs.	8.8 hrs.
Battery for Electric Start	#32-1077	
* Rated at Full Load		

NOTE: Unit ratings are established based on operation at standard conditions of 60° F and at sea level. The performance of the generator must be de-rated for temperature and altitude by 1% for every 10° F above 60° F and 3.5% for every 1000 feet above sea level. Due to the operational characteristics of the thermal type circuit breaker, the power available from the generator will decrease slightly with a corresponding increase in ambient temperature.

Due to continuing product improvements, specifications are subject to change without notice.


RECORD SERIAL NUMBER

Write you model number, machine serial number and date of purchase in the spaces provided below. Your dealer needs this information when ordering parts.

Model No. _____

Machine Serial No. _____

Date of Purchase _____
(To be filled in by purchaser)

GENERATOR			
MODEL NO. <input style="width: 150px;" type="text"/>	SERIAL NO. <input style="width: 150px;" type="text"/>		
CONTINUOUS OUTPUT, W <input style="width: 80px;" type="text"/>	DATE CODE <input style="width: 80px;" type="text"/>		
VOLT, V <input style="width: 80px;" type="text"/>	INSULATION CLASS <input style="width: 80px;" type="text"/>		
AMP, A <input style="width: 80px;" type="text"/>	RATED RPM <input style="width: 80px;" type="text"/>		
FREQUENCY, Hz <input style="width: 80px;" type="text"/>	MAX. AMBIENT TEMP., °C <input style="width: 80px;" type="text"/>		
 FOR ELECTRICAL EQUIPMENT ONLY POUR MATERIEL ELECTRIQUE SEULEMENT			
<small>201473</small>		<small>Made in U.S.A.</small>	
<small>34-0075-100300-ENG.</small>			

Warranty

STATEMENT OF WARRANTY

The Mi-T-M warrants all parts, (except those referred to below), of your new generator to be free from defects in materials and workmanship during the following periods:

For Two (2) Years from the date of original purchase.

Defective parts not subject to normal wear and tear will be repaired or replaced at our option during the warranty period. In any event, reimbursement is limited to the purchase price paid.

EXCLUSIONS

1. Engine/Motor and Generator are covered under separate warranty by its respective manufacturer and is subject to the terms set forth therein.
2. This warranty does not cover parts damaged due to normal wear, misapplication, misuse, operation at other than recommended. Failure to follow recommended operating and maintenance procedures also voids warranty.
3. The use of other than genuine manufacturer repair parts will void warranty.
4. Parts returned, prepaid to our factory or to an Authorized Mi-T-M Service Center will be inspected and replaced free of charge if found to be defective and subject to warranty. There are no warranties which extend beyond the description of the face hereof. Under no circumstances shall the manufacturer bear any responsibility for loss of use of the unit, loss of time or rental, inconvenience, commercial loss or consequential damages.

For Service or Warranty Consideration, contact
Mi-T-M® Corporation, 50 Mi-T-M Drive, Peosta, IA 52068
563-556-7484 / 800-553-9053 / Fax 563-556-1235
Monday - Friday 8:00 a.m. - 5:00 p.m. CST

**CALIFORNIA EVAPORATIVE EMISSIONS CONTROL WARRANTY STATEMENT
YOUR WARRANTY RIGHTS AND OBLIGATIONS**

The California Air Resources Board and Mi-T-M are pleased to explain the emission control system's warranty on your 2020/2021 small off-road engine/equipment (SORE). In California, new equipment that use small off-road engines must be designed, built and equipped to meet the State's stringent anti-smog standards. Mi-T-M must warrant the evaporative emissions control system (EECS) on your SOREs for the period listed below provided there has been no abuse, neglect or improper maintenance of your equipment leading to the failure of the evaporative emission control system.

Your EECS may include parts such as the carburetor, fuel tanks, fuel lines (for liquid fuel and fuel vapors), fuel caps, valves, canisters, filters, clamps, connectors, and other associated components. Where warrantable conditions exist, Mi-T-M will repair your small off-road engine at no cost to you including diagnosis, parts and labor.

MANUFACTURER'S WARRANTY COVERAGE:

This EECS is warranted for two years. If any evaporative emissions-related part on your small off-road engine/equipment is defective, the part will be repaired or replaced by Mi-T-M.

OWNER'S WARRANTY RESPONSIBILITIES:

-As the SORE owner, you are responsible for performance of the required maintenance listed in your owner's manual. Mi-T-M recommends that you retain all receipts covering maintenance on your SORE, but Mi-T-M cannot deny warranty coverage solely for the lack of receipts.

-As the SORE owner, you should be aware that Mi-T-M may deny you warranty coverage if your SORE or a part has failed due to abuse, neglect, or improper maintenance or unapproved modifications.

-You are responsible for presenting your SORE to distribution center or service center authorized by Mi-T-M Corporation, 50 Mi-T-M Drive, Peosta, IA 52068 (herein Mi-T-M) as soon as the problem exists. The warranty repairs shall be completed in a reasonable amount of time, not to exceed 30 days.

If you have a question regarding your warranty coverage, you should contact Mi-T-M Customer Service Department at 1-800-553-9053 or by emailing us at corp@mitm.com.

**GENERAL EMISSIONS WARRANTY COVERAGE
- CALIFORNIA ONLY -**

Mi-T-M warrants to the ultimate purchaser and each subsequent purchaser that the SORE (1) has been designed, built and equipped so as to conform with all applicable regulations; and (2) is free from defects in materials and workmanship that cause the failure of a warranted part to conform with those regulations as may be applicable to the terms and conditions stated below.

(a) The warranty period begins on the date the engine is delivered to an ultimate purchaser or first placed into service. The warranty period is two years.

(b) Subject to certain conditions and exclusions as stated below, the warranty on emissions related parts is as follows:

(1) Any warranted part that is not scheduled for replacement as required maintenance in your owner's manual is warranted for the warranty period stated above. If the part fails during the period of warranty coverage, the part will be repaired or replaced by Mi-T-M according to subsection (4) below. Any such part repaired or replaced under warranty will be warranted for the remainder of the period.

(2) Any warranted part that is scheduled only for regular inspection in your owner's manual is warranted for the warranty period stated above. Any such part repaired or replaced under warranty will be warranted for the remaining warranty period.

(3) Any warranted part that is scheduled for replacement as required maintenance in your owner's manual is warranted for the period of time before the first scheduled replacement date for that part. If the part fails before the first scheduled replacement, the part will be repaired or replaced by Mi-T-M according to subsection (4) below. Any such part repaired or replaced under warranty will be warranted for the remainder of the period prior to the first scheduled replacement point for the part.

(4) Repair or replacement of any warranted part under the warranty provisions herein must be performed at a warranty station at no charge to the owner.

(5) Notwithstanding the provisions herein, warranty services or repair will be provided at all of our distribution centers that are franchised to service the subject engines.

(6) The owner must not be charged for diagnostic labor that leads to the determination that a warranted part is in fact defective, provided that such diagnostic work is performed at a warranty station.

(7) Throughout the engine warranty period stated above, Mi-T-M will maintain a supply of warranted parts sufficient to meet the expected demand for such parts.

(8) Any replacement parts that do not increase the exhaust or evaporative emissions of the engine or evaporative emission control system must be used in the performance of any warranty maintenance or repairs and must be provided without charge to the owner. Such use will not reduce the warranty obligations of Mi-T-M.

(9) Add-on or modified parts that are not exempted by the Air Resources Board may not be used. The use of any non-exempted add-on or modified parts by the ultimate purchaser will be grounds for disallowing a warranty claims. Mi-T-M will not be liable to warrant failures of warranted parts caused by the use of a non-exempted add-on or modified part.

(10) Mi-T-M shall provide any documents that describe that Mi-T-M warranty procedures or policies within five working days of request by the Executive Officer.

(c) WARRANTED PARTS:

The repair or replacement of any warranted part otherwise eligible for warranty coverage may be excluded from such warranty coverage if Mi-T-M demonstrates that the engine has been abused, neglected, or improperly maintained, and that such abuse , neglect ,or improper maintenance was the direct cause of the need for repair or replacement of the part. That notwithstanding, any adjustment of a component that has a factory installed, and properly operating, adjustment limiting device is still eligible for warranty coverage. The following emissions warranty parts list are covered.

- (1) Fuel Tank*
- (2) Fuel Cap
- (3) Fuel Lines (for liquid fuel and fuel vapors)
- (4) Fuel Line Fittings
- (5) Clamps*
- (6) Pressure Relief Valves*
- (7) Control Valves*
- (8) Control Solenoids*
- (9) Electronic Controls*
- (10) Vacuum Control Diaphragms*
- (11) Control Cables*
- (12) Control Linkages*
- (13) Purge Valves*
- (14) Gaskets*
- (15) Liquid/Vapor Separator
- (16) Carbon Canister
- (17) Canister Mounting Brackets
- (18) Carburetor Purge Port Connector

* Note: As they relate to the evaporative emission control system.

Introduction

MERCI de la confiance témoignée par l'achat d'un produit Mi-T-M.

LIRE CE MANUEL ATTENTIVEMENT AFIN de pouvoir utiliser et entretenir correctement votre appareil, sinon des dommages corporels ou matériels pourraient en résulter.

CE MANUEL DOIT ÊTRE CONSIDÉRÉ comme faisant partie intégrante de votre appareil et doit l'accompagner en cas de revente.

LES MESURES dans ce manuel sont indiquées à la fois dans leurs équivalents métriques et en unités usuelles des USA. Utiliser seulement les pièces de rechange et les éléments de fixation corrects. Les éléments de fixation métriques et en pouces peuvent nécessiter des clés spécifiques à leurs système d'unités.

LES CÔTÉS DROITS ET GAUCHES de l'appareil sont déterminés en faisant face au côté moteur de l'appareil.

Le NUMÉRO DE SÉRIE de l'appareil se situe dans la section Caractéristiques ou Numéros d'Identification. Noter correctement tous les numéros afin de faciliter les recherches en cas de vol. Les communiquer également au concessionnaire lors de toute commande de pièces. Ranger les numéros d'identification dans un endroit sûr et séparé de l'appareil.

LA GARANTIE fait partie du programme de soutien Mi-T-M destiné aux clients qui utilisent et entretiennent leur équipement tel qu'il est décrit dans ce manuel. Les conditions de garantie dont bénéficie cet appareil figurent sur le certificat de garantie dans ce manuel.

Cette garantie vous fournit l'assurance que votre concessionnaire fournira du support pour les produits où des défauts apparaîtraient au cours de la période de garantie. Toute utilisation abusive de l'équipement ou modification visant à dépasser les performances spécifiées par le constructeur annuleront la garantie.

⚠ AVERTISSEMENT

⚠ AVERTISSEMENT: Ce produit peut vous exposer à des produits chimiques, tel que le plomb, qui est reconnu par l'état de la Californie comme étant une cause de cancer, d'anomalies congénitales et d'autres problèmes liés à la reproduction. Pour plus de renseignements, aller à www.P65Warnings.ca.gov

⚠ AVERTISSEMENT

⚠ AVERTISSEMENT: Ce produit peut vous exposer à des agents chimiques, y compris carbon monoxide, identifiés par l'État de Californie comme pouvant causer des malformations congénitales ou autres troubles de l'appareil reproducteur. Pour de plus amples informations, prière de consulter www.P65Warnings.ca.gov.

Table des matières

	Page
Sécurité	37
Symboles de sécurité	44
Commandes	45
Préparation du groupe électrogène	46
Fonctionnement	50
Dépannage	54
Entretien	55
Remisage	61
Caractéristiques	62
Garantie	63-65

Toutes les informations, illustrations et caractéristiques contenues dans la présente publication sont à jour au moment de la publication, le constructeur se réservant le droit d'apporter sans notification toute modification jugée appropriée.

Sécurité

RECONNAITRE LES SYMBOLES DE SÉCURITÉ

Voici le symbole d'alerte de sécurité. Lorsqu'il apparaît sur votre appareil ou dans ce manuel, rester conscient du risque potentiel de blessures.

Respecter tous les conseils de sécurité ainsi que les consignes générales de prévention des accidents.



COMPRENDRE LES MOTS D'ALERTE

Un mot d'alerte—DANGER, AVERTISSEMENT ou ATTENTION—est utilisé avec le symbole d'alerte de sécurité. Le terme DANGER identifie les dangers les plus graves.

Les signes de sécurité avec DANGER ou AVERTISSEMENT se trouvent près des dangers spécifiques. Les signes de sécurité avec ATTENTION se réfèrent à des précautions d'ordre général. Le terme ATTENTION demande aussi de prêter attention aux messages de sécurité dans ce manuel.



RESPECTER LES CONSEILS DE SÉCURITÉ

Lire attentivement tous les conseils de sécurité contenus dans ce manuel et ceux apposés sur l'appareil. Veiller à ce que les signes de sécurité soient lisibles. Remplacer ceux qui manqueraient ou seraient endommagés. S'assurer que les nouveaux composants ou pièces de rechange incluent les signes de sécurité courants. Des signes de rechange sont disponibles chez votre concessionnaire Mi-T-M.

Apprendre à faire fonctionner l'appareil et à utiliser les commandes correctement. Ne laisser aucune personne se servir de l'appareil sans instruction.

Maintenir votre appareil en bonne condition de marche. Toute modification illicite de votre appareil risque d'en affecter son fonctionnement et/ou sa sécurité ainsi que d'en réduire sa durée de vie.

Si vous ne comprenez pas toute partie de ce manuel et avez besoin d'assistance, prenez contact avec votre concessionnaire Mi-T-M.



OXYDE DE CARBONE – GAZ TOXIQUE

Utiliser le groupe électrogène dehors, loin de fenêtres ouvertes, de conduits d'aération, ou de portes.

Le gaz d'échappement du groupe électrogène contient de l'oxyde de carbone – un gaz toxique qui peut vous tuer. Vous NE POUVEZ PAS sentir ou voir ce gaz.

Ne jamais se servir d'un groupe électrogène dans des espaces fermés ou partiellement fermés. Les groupes électrogènes peuvent produire de hauts niveaux d'oxyde de carbone très rapidement. Pendant l'utilisation d'un groupe électrogène portable, se rappeler que vous ne pouvez pas sentir ou voir l'oxyde de carbone. Même si vous ne sentez pas les gaz d'échappement, vous pouvez tout de même être exposé à l'oxyde de carbone.

Si vous commencez à vous sentir malade, étourdi, ou faible pendant l'utilisation d'un groupe électrogène, sortez au grand air immédiatement. **NE PAS ATTENDRE.** L'oxyde de carbone provenant des groupes électrogènes peut rapidement être la cause d'une incapacité complète ou de mort.

En cas des symptômes sérieux, trouver de l'aide médicale immédiatement. Informer le personnel médical qu'une intoxication à l'oxyde de carbone est possible. Si vos symptômes sont apparus à l'intérieur, ne pas retourner dans le bâtiment avant que les sapeurs pompiers s'assurent que le bâtiment est sans danger.

NE JAMAIS utiliser le groupe électrogène dans une atmosphère explosible, près de matériaux combustibles ou dans un endroit où la ventilation n'est pas suffisante pour évacuer les gaz d'échappement. **Les gaz d'échappement peuvent être la cause de blessures graves ou de mort.**

NE JAMAIS se servir d'un groupe électrogène à l'intérieur, que ce soit dans des maisons, garages, sous-sols, vides de comble ou vides sanitaire, et autres espaces fermés ou partiellement fermés, même avec ventilation. Le fait d'ouvrir des fenêtres et des portes ou d'utiliser des ventilateurs n'empêchera pas l'accumulation d'oxyde de carbone dans la maison.

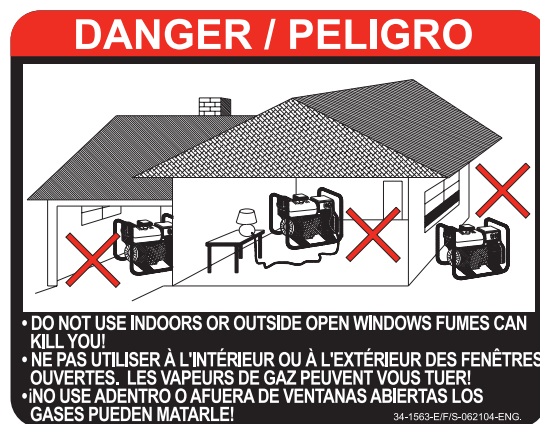
Suivre les instructions qui accompagnent votre groupe électrogène. Placer l'appareil dehors et loin des portes, fenêtres, et conduits d'aération qui pourraient permettre au gaz d'oxyde de carbone d'entrer à l'intérieur.

Courez **SEULEMENT** le générateur dehors et loin des entrées d'air. Ne courez jamais le générateur à l'intérieur des maisons, des garages, des hangars, ou d'autres espaces de semi-finale-enclosed. Ces espaces peuvent emprisonner les gaz toxiques **MÊME SI** vous courez un ventilateur ou ouvrez des portes et des fenêtres.

Si vous commencez à vous sentir malade, étourdi, ou faible tout en utilisant le groupe électrogène, a fermé si au loin et obtient l'air frais **TOUT DE SUITE.** Voir le docteur. Vous pouvez avoir l'empoisonnement d'oxyde de carbone.

Installer des alarmes d'oxyde de carbone à piles ou des alarmes d'oxyde de carbone avec batterie de secours qui se branche dans votre maison, selon les instructions d'installation du fabricant. Les alarmes d'oxyde de carbone doivent être conforme aux exigences des dernières normes de sécurité pour les alarmes d'oxyde de carbone. (UL 2034, IAS 6-96, ou CSA 6.19.01).

Tester votre alarme d'oxyde de carbone fréquemment et remplacer les piles à plat.





CONSIGNES DE SÉCURITÉ LORS DU RAVITAILLEMENT EN CARBURANT

L'essence est extrêmement inflammable et ses vapeurs peuvent exploser si on l'enflamme.

Respecter tous les règlements de sécurité concernant la manipulation sans danger de carburant. Manier le carburant dans des récipients de sécurité. Si le récipient n'a pas de bec, se servir d'un entonnoir.

Ne pas trop remplir le réservoir de carburant, laisser toujours de la place pour que le carburant se dilate.

Ne jamais remplir le réservoir de carburant lorsque le moteur tourne. Arrêter le groupe électrogène et lui permettre de refroidir avant de le ravitailler en carburant. L'essence renversée sur les parties chaudes du moteur pourrait s'enflammer.

Ne remplir le réservoir de carburant que sur une surface nue. Lors du ravitaillement en carburant, écarter le réservoir de toute source de chaleur, d'étincelles ou de flammes nues. Nettoyer soigneusement toute essence renversée avant de démarrer le moteur.

Remplir toujours le réservoir de carburant dans un endroit avec une bonne ventilation pour éviter d'inhaler des vapeurs dangereuses.

N'entreposer JAMAIS le carburant de votre groupe électrogène dans la maison. L'essence, le propane, le kérosène, et autres liquides inflammables doivent être entreposés en dehors des espaces habités dans des récipients de sécurité (pas en verre) clairement étiquetés. Ne pas les entreposer près d'un appareil alimenté en combustible, tel qu'un chauffe-eau au gaz naturel dans un garage. Si du carburant est renversé ou si le récipient n'est pas fermé correctement, des vapeurs invisibles provenant du carburant peuvent voyager le long du sol et peuvent être enflammées par la veilleuse de l'appareil ou par des arcs des interrupteurs électriques dans l'appareil.



PROTECTION PAR DISJONCTEUR DIFFÉRENTIEL

Ces groupe électrogènes sont équipées de trois prises de courant double de 120V avec disjoncteur différentiel (GFCI) pour offrir de la protection contre les risques de chocs électriques causés par des accessoires défectueux tels que des outils, des cordons ou des câbles.

AVERTISSEMENT : LE DISJONCTEUR DIFFÉRENTIEL RISQUE DE NE PAS FONCTIONNER SI LE GROUPE ÉLECTROGÈNE N'EST PAS CORRECTEMENT RELIÉ À LA TERRE. RESPECTER LA MÉTHODE CORRECTE DE RACCORDEMENT À LA TERRE QUI EST SPECIFIÉE DANS LA PARTIE INTITULÉE "INSTRUCTIONS DE MISE À LA TERRE."

Le disjoncteur différentiel est un coupe-circuit spécial qui, en cas de courant parasite allant à la terre, coupe le courant venant du secteur ou du groupe électrogène.

AVERTISSEMENT: SEULES LES PRISES DE COURANT DOUBLE DE 120V SONT PROTÉGÉES PAR LE DISJONCTEUR DIFFÉRENTIEL.

Un disjoncteur différentiel (GFCI) ne peut être utilisé qu'avec les groupe électrogènes qui ont le fil neutre relié au châssis en interne et le châssis lui-même correctement mis à la terre. Un disjoncteur différentiel (GFCI) ne marchera pas avec les groupes électrogènes qui n'ont pas le fil neutre relié au châssis en interne, ou avec les groupes électrogènes qui n'ont pas été relié à la terre correctement. Tous les groupes électrogènes Mi-T-M ont des fils de mise à la terre interne. Un disjoncteur différentiel (GFCI) ne fonctionnera pas si l'appareil n'est pas relié à la terre correctement.

Un disjoncteur différentiel (GFCI) peut être exigé par les règlements de OSHA (loi sur la santé et la sécurité du travail), le Code Electrique Nationale et/ou les codes locaux et fédéraux lors de l'utilisation d'un groupe électrogène.

Pour une meilleure protection contre les risques de chocs électriques par de l'équipement défectueux branché sur des prises à verrouillage par rotation, il faut considérer la possibilité d'utiliser un disjoncteur différentiel pour chacune de ces prises également.

Les disjoncteurs différentiels (GFCI) et les cordons amovibles et câbles protégés par des disjoncteurs différentiels peuvent être achetés dans des magasins locaux de matériel électrique.

RISQUES ÉLECTRIQUES

Ce produit doit être mis à la terre. Il y a un conducteur permanent entre la génératrice (enroulement du stator) et le cadre.

En cas de mauvais fonctionnement ou de panne, la mise à la terre fournit un chemin de moindre résistance au courant électrique, réduisant ainsi les risques de choc électrique.

⚠ DANGER - UN BRANCHEMENT INCORRECT DU CONDUCTEUR DE MISE À LA TERRE DE L'ÉQUIPEMENT PEUT ENTRAÎNER DES RISQUES D'ÉLECTROCUTION. VÉRIFIER AVEC UN DÉPANNEUR OU UN ÉLECTRICIEN QUALIFIÉ EN CAS DE DOUTES CONCERNANT LA MISE À LA TERRE.

Ce groupe électrogène est équipé d'une borne de terre pour votre protection. Finaliser toujours la liaison à la terre du groupe électrogène jusqu'à une prise de terre externe comme l'explique les instructions dans la section intitulée "Instructions de mise à la terre" dans la partie Préparation de ce manuel.

Le groupe électrogène est une source potentielle de choc électrique si il n'est pas gardé au sec. Maintenir le groupe électrogène au sec et ne pas l'utiliser par temps de pluie ou dans des conditions humides. Pour protéger le groupe électrogène contre l'humidité, s'en servir sur une surface sèche et sous une structure ouverte tel qu'un auvent. Ne jamais toucher le groupe électrogène avec les mains mouillées.

Risque de choc électrique en cas d'utilisation du groupe électrogène avec un disjoncteur différentiel (GFCI) défectueux. Tester le disjoncteur différentiel (GFCI) avant chaque utilisation. Voir les instructions d'utilisation pour plus d'information. Si le disjoncteur différentiel (GFCI) s'avère défectueux, NE PAS utiliser votre groupe électrogène. Contacter votre concessionnaire Mi-T-M.

Brancher les appareils directement dans le groupe électrogène. Ou, se servir d'une rallonge renforcée et pour usage extérieur certifié (en watts ou en ampères) pour au moins la somme des consommations de tous les appareils branchés dessus. Vérifier que toute la rallonge est en bon état, sans entailles ou déchirures et que la fiche a bien trois broches, et surtout une lame de terre.

Ne JAMAIS essayer d'alimenter les circuits de la maison en branchant le groupe électrogène à une prise murale, une pratique connue sous le nom de "back feeding/ alimentation en retour". Ceci est une pratique extrêmement dangereuse qui présente un risque d'électrocution aux ouvriers d'entretien du réseau public et aux voisins desservis par le même transformateur de réseau. Ceci court-circuite également certains des dispositifs de protection intégrés dans l'installation électrique de la maison.

Si vous devez brancher le groupe électrogène au circuit d'alimentation électrique de la maison pour amener du courant aux appareils, faire installer l'équipement approprié par un électricien qualifié conformément aux codes électriques locaux. Ou, vérifier avec votre compagnie d'électricité pour voir si un commutateur de transfert inverseur de source peut être installé.

Pour les coupures de courant, des groupes électrogènes stationnaires en installation permanente sont mieux adaptés pour fournir une source d'énergie de secours pour votre maison. Même un groupe électrogène portable qui est branché correctement peut devenir surchargé. Les éléments constitutifs du groupe électrogène peuvent alors surchauffer ou être sous trop de pression avec la conséquence possible de défaillance du groupe électrogène.



CONSEILS DE SÉCURITÉ IMPORTANTS

AVERTISSEMENT: Pour réduire le risque de blessures, lire ce manuel de l'utilisateur au complet avant l'utilisation du produit. Pendant l'utilisation de ce produit, les précautions de base suivantes doivent toujours être suivies:

1. Lire toutes les instructions avant d'utiliser ce produit.
2. Ce produit est muni d'un disjoncteur différentiel (GFCI) dans le cordon d'alimentation électrique afin de réduire les risques de choc électrique. Si le remplacement du cordon d'alimentation ou de la prise est nécessaire, n'utiliser que des pièces de rechange identiques.
3. Ne pas permettre à des enfants ou à des personnes non qualifiées de se servir de ce groupe électrogène.
4. Ne pas utiliser le groupe électrogène si vous êtes fatigués, en état d'ébriété ou sous l'influence de médicaments ou drogues. Rester vigilant et attentif à vos gestes.
5. Suivre les instructions d'entretien contenues dans ce manuel.
6. Bloquez les roues pour empêcher l'unité de se déplacer tout en fonctionnant. S'assurer toujours que l'appareil est sur une surface plane et qu'il est correctement relié à la terre.
7. S'assurer que l'interrupteur des outils électriques est en position d'arrêt (OFF) avant de les brancher sur le groupe électrogène.
8. Empêcher l'accès à la zone entourant l'appareil.
9. S'assurer que chaque personne utilisant ce groupe électrogène a reçu une formation adéquate pour le faire fonctionner en toute sécurité.



CONSEILS DE SÉCURITÉ IMPORTANTS

10. Ne pas faire fonctionner le groupe électrogène ou tout outil électrique dans un endroit où de l'eau ou des matières semblables entraînent un danger électrique pour l'utilisateur. **Ne pas l'utiliser sur des surfaces mouillées, sous la pluie ou sous la neige.**
11. S'assurer toujours que le groupe électrogène est bien stable et ne risque en aucun cas de glisser ou de se déplacer, mettant ainsi le personnel en danger.
12. Eviter de toucher le collecteur, le silencieux d'échappement ou le(s) cylindre(s) chaud(s). Se tenir à l'écart de toutes les pièces tournantes.
13. Sauf si l'outil ou l'appareil utilisé est à double isolation, il doit être mis à la terre par une prise correctement mise à la terre. (Voir Préparer le groupe électrogène, Instructions de mise à la terre). Les outils et appareils munis de prises à 3 broches doivent obligatoirement être branchés sur des rallonges et des prises murales à 3 trous. Avant d'utiliser tout appareil électrique, s'assurer qu'il est en bon état.
14. Pour faire l'essai d'un disjoncteur différentiel et assurer sa fiabilité, suivre les instructions de ce manuel.
15. **Attention si vous utilisez cet équipement dans des espaces confinés.** Les espaces confinés, sans ventilation d'air frais suffisante, risquent de contenir des gaz dangereux. Faire fonctionner un moteur à essence dans de tels cas peut provoquer une explosion et/ou une asphyxie mortelle.



CONSERVER CES INSTRUCTIONS



PORTER DES VÊTEMENTS DE PROTECTION

Porter des vêtements ajustés et un équipement de sécurité adapté au travail.

Porter un dispositif protecteur d'audition approprié tel que des couvre-oreilles ou des bouche-oreilles pour se protéger contre des bruits forts répréhensibles ou inconfortables.

La pleine attention de l'opérateur est requise afin d'utiliser l'équipement en toute sécurité. Ne pas porter des écouteurs de radio ou de musique tout en actionnant la machine.

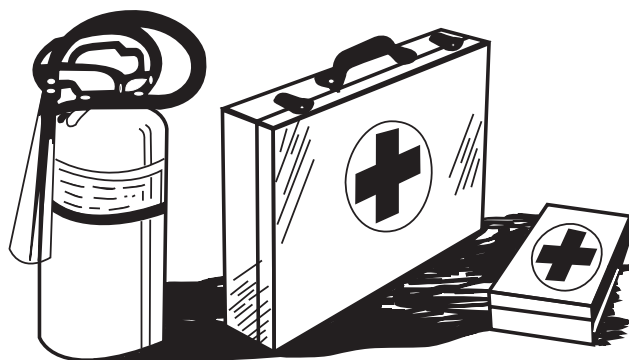


PRÉPARATION POUR LES URGENCES

Garder une trousse des premiers secours et un extincteur à portée de la main.

Garder les numéros d'urgence des docteurs, du service d'ambulance, de l'hôpital et des pompiers en cas d'urgence près du téléphone.

Etre prêt si un incendie débute.



INSPECTER LE GROUPE ÉLECTROGÈNE

S'assurer que tous les couvercles, gardes et plaques de protection sont serrés et bien en place.

Repérer toutes les commandes et les étiquettes de sécurité.

Inspecter le cordon de secteur pour déceler tout dommage avant utilisation. Il y a un risque de choc électrique en cas d'écrasement, de coupures ou de lésions dues à la chaleur.

FAIRE L'ENTRETIEN DU GROUPE ÉLECTROGÈNE EN TOUTE SÉCURITÉ

Avant d'entretenir le groupe électrogène, débrancher tout l'équipement et la batterie (s'il en est équipé) et permettre à l'appareil de refroidir.

Faire l'entretien du groupe électrogène dans un endroit propre, sec et plat. Engagez le frein pour l'empêcher de se déplacer.



ÉTIQUETTES DE SÉCURITÉ



34-0889
EMPLACEMENT: ASSEMBLAGE DU CHÂSSIS

⚠️ WARNING

SHOCK



⚠️ WARNING: Cancer and Reproductive Harm — www.P65warnings.ca.gov/
A generator is a potential shock hazard which can result in serious injury or death.

- Generator must be kept dry.
- Do NOT operate unit with wet hands.
- Generator MUST be grounded before use. See operators manual for specific instructions.
- Use extreme caution when refueling unit.
- GFCI receptacles must be tested before each use. See operators manual.
- Always keep generator four (4) feet from any structure.
- Always remove refueling gas can from generator area.

⚠️ AVERTISSEMENT

DÉCHARGE

⚠️ AVERTISSEMENT: Cancer et toxique pour la reproduction — www.P65warnings.ca.gov/
Un générateur pose un danger de décharge électrique qui peut entraîner des blessures graves ou la mort.

- Le générateur doit être maintenu au sec.
- Ne PAS utiliser le générateur avec les mains mouillées.
- Le générateur doit être mis à la terre avant de l'utiliser. Consulter le manuel de l'utilisateur pour des instructions spécifiques.
- Soyez extrêmement prudent lors du ravitaillement en carburant de cet appareil.
- Les prises GFCI doivent être testées avant chaque utilisation. Voir le manuel de l'utilisateur.
- Placez toujours le générateur à une distance d'au moins quatre pieds (1m 22) de toute structure.
- Enlever toujours le bidon de ravitaillement en essence de l'endroit où se trouve le générateur.

⚠️ ADVERTENCIA

DESCARGA

⚠️ ADVERTENCIA: Peligro de cáncer y daño reproductivo — www.P65warnings.ca.gov/
Un generador es un potencial riesgo de descarga que puede resultar en lesiones graves o muerte.

- Generadores tienen que mantener secos.
- No opere esta unidad con manos mojadas.
- Generador TIENE que sea conectado a tierra antes de uso. Vea manual de operador para instrucciones específicas.
- Use cautión extremo cuando rellenando esta unidad.
- GFCI recipientes tienen que tener un examen antes de cada uso. Vea manual de operador.
- Siempre mantenga el generador cuatro (4) pies de algo estructura.
- Siempre quite lata de gasolina de rellenando de area de generador.

34-2226071318

34-2226
EMPLACEMENT: HAUT DE BOÎTE ÉLECTRIQUE

OPERATION

Read Operator's Manual carefully before operating unit. Always make sure unit is level and properly grounded. Check engine oil before starting. See instructions located in operator's manual for starting procedure.

START-UP:

1. Turn idle control switch to OFF position.
2. Move choke lever to full choke.
3. Turn the engine key to the START position, hold until engine starts.
4. When the engine starts, release key, allowing it to return to the ON position.
5. Slowly move choke lever to no choke.
6. Allow unit to run two (2) minutes to warm-up.
7. Turn idle control switch to ON position. Loads can now be applied to unit.

SHUT-DOWN:

1. Remove all load by turning off electrical appliances and unplugging electric cords.
2. Allow engine to run at idle speed to cool two (2) minutes. Not allowing engine to cool may result in damage to unit.
3. Turn the engine key to the OFF position.

TEST GFCI RECEPTACLE(S) BEFORE EACH USE. SEE OPERATORS MANUAL FOR INSTRUCTIONS.

D'UTILISATION

Lire soigneusement le manuel de l'utilisateur avant de se servir de l'appareil. S'assurer toujours que l'appareil est sur une surface plane et qu'il est correctement relié à la terre. Vérifier le niveau d'huile du moteur avant le démarrage. Suivre les instructions qui se trouvent dans le manuel de l'utilisateur dans la section démarrage.

DEMARRAGE:

1. Tourner l'interrupteur de la commande de ralenti sur la position arrêt (OFF).
2. Placer la manette du starter en position maximum.
3. Placer la clé sur la position DEMARRAGE et la maintenir sur cette position jusqu'à ce que le moteur démarre.
4. Lorsque le moteur démarre, relâcher la clé et la laisser revenir sur la position MARCHÉ.
5. Ramener doucement la manette du starter en position fermée.
6. Permettre à l'appareil de tourner pendant deux (2) minutes pour qu'il se réchauffe.
7. Tourner l'interrupteur de la commande de ralenti sur la position marche (ON). L'appareil peut maintenant prendre des charges.

TESTER LA (LES) PRISE (S) GFCI AVANT CHAQUE UTILISATION. VOIR LE MANUEL DE L'UTILISATEUR POUR LES INSTRUCTIONS À SUIVRE.

ARRET:

1. Supprimer les charges en éteignant les appareils électriques et en débranchant les raccords électriques.
2. Laisser le moteur tourner au ralenti pendant deux (2) minutes pour qu'il refroidisse. L'appareil peut être endommagé si on ne permet pas au moteur de refroidir.
3. Placer l'interrupteur du moteur sur la position ARRÊT.

OPERACIÓN

Lea manual de operador antes de operar esta unidad. Siempre asegúrese que unidad sea plana y conecta a tierra correcto. Revise al aceite de motor antes de empezando. Vea instrucciones que están en manual de operador para procedimiento de empezando.

OPERACIÓN:

1. Doble el interruptor del control de flojeer a posición de OFF.
2. Mueva palanca de choke a choke completo.
3. Gire la llave a la posición START, y reléngala ahí durante hasta que se ponga en marcha el motor.
4. Cuando el motor se ponga en marcha, suelte la llave dejándola que retorne a la posición ON.
5. Mueva muy despacio la palanca de choke a no choke.
6. Permita la unidad a opere por dos (2) minutos para precalentamiento.
7. Si unidad tiene control de flojeer a posición de ON. Ahora cargas pueden aplicar a la unidad.

APAGADO:

1. Quite todas cargas como apagando aparatos eléctricos y desconecten cordones eléctricos.
2. Permita el motor a operar a velocidad de flojeer para enfriarse por dos (2) minutos. No permitiendo enfriarse del motor puede resultar en daño a la unidad.
3. Gire el interruptor del motor a la posición OFF.

EXAMINE GFCI RECIPIENTES ANTES DE CADA USO. VEA MANUAL DE OPERADOR PARA INSTRUCCIONES.

34-2227/090112

34-2227
EMPLACEMENT: HAUT DE BOÎTE ÉLECTRIQUE

Commandes

COMMANDES



A -- Panneau de Commande
B -- Breake

C -- Réservoir de
Carburan
D -- Silencieux

E -- Soutien d'Ascenseur

Préparation du groupe électrogène

INSTRUCTIONS DE MISE À LA TERRE

Ce produit doit être mis à la terre. En cas de mauvais fonctionnement ou de panne, la mise à la terre fournit un chemin de moindre résistance au courant électrique, réduisant ainsi les risques de choc électrique.

! DANGER - UN BRANCHEMENT INCORRECT DU CONDUCTEUR DE MISE À LA TERRE DE L'ÉQUIPEMENT PEUT ENTRAÎNER DES RISQUES D'ÉLECTROCUTION. VÉRIFIER AVEC UN DÉPANNEUR OU UN ÉLECTRICIEN QUALIFIÉ EN CAS DE DOUTES CONCERNANT LA MISE À LA TERRE.

Il faut obligatoirement utiliser la borne de terre et son écrou papillon pour connecter le châssis du groupe électrogène à une prise de terre adéquate. Le raccordement à la terre devra être effectué avec du fil Numéro 8. Mettre la cosse du fil de terre entre les deux rondelles éventail et l'écrou papillon et serrer l'écrou papillon complètement. Relier solidement l'autre extrémité du fil de terre à une prise de terre adéquate.

Le code national électrique contient plusieurs exemples pratiques de création d'une prise de terre. Les exemples ci-dessous illustrent quelques unes des méthodes de création d'une bonne prise de terre.

Une conduite d'eau souterraine métallique en contact direct avec la terre sur au moins 10 pieds (3 mètres) peut être utilisée comme terre. Si une conduite d'eau n'est pas disponible, on pourra utiliser une tige ou un tuyau de 8 pieds (2m50) de long. Dans le cas d'un tuyau, ce dernier devra avoir un diamètre d'au moins $\frac{3}{4}$ de pouce avec une surface extérieure anticorrosion. Dans le cas d'une tige en fer ou en acier, le diamètre minimal sera de $\frac{5}{8}$ pouce; dans le cas d'une tige en métal non ferreux, cette dernière devra avoir un diamètre minimal de $\frac{1}{2}$ pouce et son métal devra figurer sur la liste des métaux agréés pour la mise à la terre. Enfoncer le tuyau ou la tige dans le sol jusqu'à une profondeur de 8 pieds (2m50). Si l'on rencontre de la roche à moins de 4 pieds (1m25), enterrer le tuyau ou la tige dans une tranchée. Tous les outils électriques et les appareils raccordés à ce groupe électrogène devront obligatoirement soit être mis à la terre au moyen d'un fil de terre, soit être à double isolation.

Il est recommandé de:

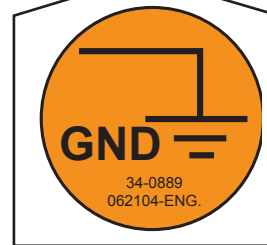
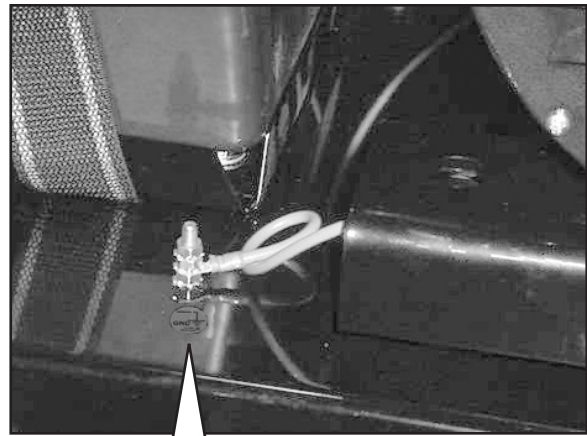
1. D'utiliser des appareils électriques munis de cordons d'alimentation à 3 broches.
2. D'utiliser une rallonge munie d'une prise à 3 trous et d'une fiche à 3 broches à ses extrémités opposées afin d'assurer la continuité de la ligne de terre entre le groupe électrogène et l'appareil.

Nous recommandons fortement de vérifier et de respecter la bonne application de toutes les réglementations fédérales, d'état et locales relatives aux spécifications de mise à la terre.

COMMUTATEUR DE TRANSFERT INVERSEUR DE SOURCE

Si le groupe électrogène est destiné à être utilisé en secours, il doit obligatoirement y avoir un commutateur de transfert inverseur de source entre le réseau électrique principal et le groupe électrogène. Ce commutateur non seulement empêche le courant de ce réseau de parvenir au groupe électrogène, mais il empêche aussi le groupe électrogène d'alimenter les lignes de la compagnie d'électricité. Ceci afin de protéger tout réparateur effectuant une intervention sur une ligne endommagée.

ÇETTE INSTALLATION DOIT ÊTRE EFFECTUÉE PAR UN ÉLECTRICIEN LICENCIÉ EN RESPECTANT OBLIGATOIREMENT TOUS LES CODES LOCAUX.



HUILE DU MOTEUR

L'huile est un facteur déterminant pour la performance et la durée de service. Utiliser une huile automobile 4 temps détergente.

Huile recommandée: Utiliser une huile moteur 4 temps répondant ou dépassant les prescriptions pour la classification service API SJ, SL ou équivalente. Toujours vérifier l'étiquette de service API sur le bidon d'huile pour s'assurer qu'elle porte bien la mention SJ, SL ou équivalente.

Une huile SAE 10W-30 est recommandée pour l'utilisation générale. Les autres viscosités indiquées dans le tableau peuvent être utilisées lorsque la température moyenne du lieu d'utilisation se trouve dans la plage indiquée. (Fig. 1)

ATTENTION: LE CARTER DE CE MOTEUR N'EST PAS REMPLI D'HUILE À L'USINE, IL FAUT DONC PRENDRE SOIN DE LE REMPLIR AVANT DE FAIRE FONCTIONNER LE MOTEUR.

CAPACITÉ D'HUILE DU MOTEUR

MODÈLE #	LITRES	QUART	ONCES
GEN-13000-1MSE	1.5	1.6	52.5
GEN-14000-1MHE	1.8	1.9	60.9

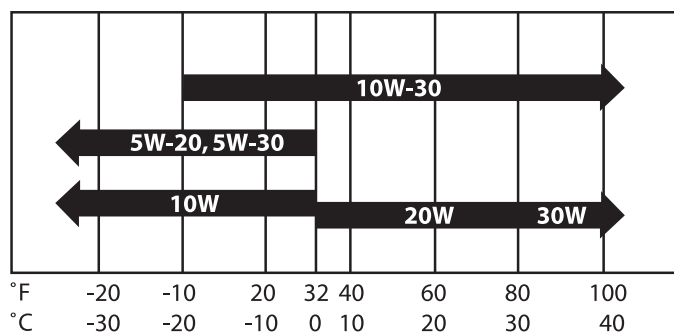
Pour remplir d'huile:

1. Mettre le moteur à l'horizontal pour assurer une vérification précise et éviter de trop le remplir.
2. Retirer la jauge et l'essuyer.
3. Introduire complètement la jauge, puis la retirer pour vérifier le niveau d'huile.
4. Si le niveau d'huile est bas, retirer le bouchon de remplissage d'huile et faire l'appoint d'huile recommandée jusqu'au repère de limite maximum de la jauge.
5. Remettre la jauge et le bouchon de remplissage en place.

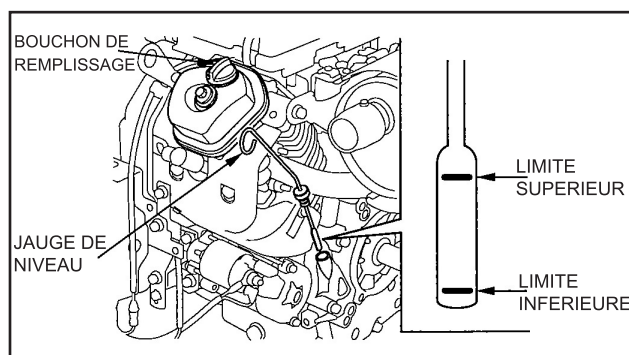
NOTE: Il faut s'assurer que le moteur est de niveau pendant la vérification du niveau d'huile.

Le système Oil Alert (types applicables) arrête automatiquement le moteur avant que le niveau d'huile ne descende au-dessous du seuil de sécurité. Toutefois, pour éviter l'inconvénient d'un arrêt imprévu, toujours vérifier le niveau d'huile du moteur avant le démarrage.

TABLEAU DE TEMPÉRATURE



(Fig. 1)



(Fig. 2)

APPROVISIONNEMENT EN CARBURANT

 **AVERTISSEMENT: CARBURANT EXPLOSIF!! L'ESSENCE EST EXTRÊMEMENT INFLAMMABLE ET SES VAPEURS PEUVENT EXPLOSER SI ELLES S'ENFLAMMENT.**

IL NE FAUT ENTREPOSER L'ESSENCE QUE DANS DES CONTENEURS HOMOLOGUÉS, DANS DES BÂTIMENTS BIEN AÉRÉS, NON OCCUPÉS ET À L'ÉCART DES ÉTINCELLES ET DES FLAMMES.

NE PAS REMPLIR LE RÉSERVOIR DE CARBURANT LORSQUE LE MOTEUR EST CHAUD OU EN MARCHÉ CAR L'ESSENCE RENVERSÉE PEUT S'ENFLAMMER SI ELLE ENTRE EN CONTACT AVEC LES PARTIES CHAUDES OU LES ÉTINCELLES PROVENANT DE L'ALLUMAGE. NE PAS METTRE LE MOTEUR EN MARCHÉ PRÈS DE CARBURANT QUI A ÉTÉ RENVERSÉ.

NE PAS METTRE LE MOTEUR EN MARCHÉ PRÈS DE CARBURANT QUI A ÉTÉ RENVERSÉ. NE JAMAIS UTILISER D'ESSENCE COMME PRODUIT DE NETTOYAGE.

 **AVERTISSEMENT: NE PAS TROP REMPLIR LE RÉSERVOIR DE CARBURANT, LAISSER TOUJOURS DE LA PLACE POUR QUE LE CARBURANT SE DILATE.**

Recommandations Générales

- Acheter de l'essence en petite quantité et l'entreposer dans des conteneurs propres et homologués.
- Pour minimiser les dépôts de gomme dans le système de carburant et pour assurer un démarrage facile, ne pas utiliser d'essence restant de la saison précédente.
- Ne pas ajouter d'huile à l'essence.

Type d'essence

- Pour obtenir les meilleurs résultats, utiliser de l'essence sans plomb, propre, fraîche, avec un indice d'octane à la pompe d'au moins 87.
- L'essence sans plomb est recommandée car elle laisse moins de dépôts dans la chambre de combustion.

MÉLANGES D'ESSENCE ET D'ALCOOL:

L'essence-alcool (jusqu'à 10% d'alcool éthylique, 90% d'essence sans plomb par volume) est approuvée comme carburant. D'autres mélanges d'essence et d'alcool ne sont pas approuvés.

MÉLANGES D'ESSENCE ET D'ÉTHÉRE:

Les mélanges d'éther méthyl-tertiobutylique (MTBE) et d'essence sans plomb (jusqu'à un maximum de 15% MTBE par volume) sont des carburants approuvés. D'autres mélanges d'essence et d'éther ne sont pas approuvés.

INSTALLATION DE LA BATTERIE



AVERTISSEMENT: NE DOIT ÊTRE EFFECTUÉ QUE PAR UN CENTRE DE SERVICE MI-T-M AGRÉÉ.

NUMÉRO DE REMPLACEMENT DE LA BATTERIE

#32-1077

HAUTE ALTITUDE

En haute altitude, le mélange air/carburant standard d'un carburateur sera trop riche. La performance diminuera et la consommation de carburant augmentera. Un mélange très riche obstruera également la bougie d'allumage et sera la cause d'un démarrage difficile. La marche de l'appareil à une altitude qui diffère de celle à laquelle ce moteur a été certifié, pour des périodes de temps prolongées, peut augmenter les émissions.

La performance en haute altitude peut être améliorée par des modifications spécifiques du carburateur. Si vous vous servez toujours de votre groupe électrogène à des altitudes de plus de 5,000 pieds (1,500 mètres), demander à votre concessionnaire de faire cette modification du carburateur. Ce moteur, quand il marchera en haute altitude avec les modifications du carburateur pour utilisation en haute altitude, satisfera les normes d'émission pour la durée de sa vie utile.

Même avec une modification du carburateur, la puissance du moteur diminuera par environ 3.5% pour chaque hausse en altitude de 1,000 pieds (300 mètres). L'effet de l'altitude sur la puissance en chevaux sera encore plus grande si aucune modification du carburateur n'est faite.

NOTE: *Quand le carburateur a été modifié pour une utilisation en haute altitude, le mélange air/carburant sera trop maigre pour une utilisation en basse altitude. Une utilisation à des altitudes de moins de 5,000 pieds (1,500 mètres) avec un carburateur modifié peut être la cause d'un surchauffement du moteur et causer des dommages sérieux au moteur.*

Pour une utilisation en basse altitude, demander à votre concessionnaire de rétablir les réglages usine du carburateur.

Fonctionnement

FONCTIONNEMENT

NOTE: Lire soigneusement le manuel de l'utilisateur avant de se servir de l'appareil. Bloquez les roues pour empêcher l'unité de se déplacer tout en fonctionnant. S'assurer toujours que l'appareil est sur une surface plane et qu'il est correctement relié à la terre. Vérifier le niveau d'huile du moteur avant le démarrage.

1. Tourner l'interrupteur de la commande de ralenti sur la position arrêt (OFF). (Fig. 3)
2. Placer la manette du starter en position maximum. (Fig. 4)
3. Placer la clé sur la position DEMARRAGE et la maintenir sur cette position jusqu'à ce que le moteur démarre.
4. Lorsque le moteur démarre, relâcher la clé et la laisser revenir sur la position MARCHÉ.

NOTE: Il ne faut pas lancer le moteur continuellement pendant plus de 30 secondes à la fois. Si le moteur ne démarre pas, attendre trois minutes de refroidissement avant d'essayer de nouveau. Il faut respecter cette procédure pour éviter d'endommager le démarreur.

Si le démarreur ne fait pas tourner le moteur, l'arrêter immédiatement. Ne pas faire de nouvelles tentatives de démarrage du moteur avant d'avoir corrigé le problème. Ne pas essayer de faire démarrer le moteur en branchant sa batterie sur une autre.

5. Ramener doucement la manette du starter en position fermée.
6. Permettre à l'appareil de tourner pendant deux (2) minutes pour qu'il se réchauffe.
7. Tester la/les prise(s) avec disjoncteur différentiel (GFCI) de l'appareil. Pousser le bouton d'essai. Le bouton de réenclenchement devrait ressortir et il ne devrait pas y avoir de courant à la prise. Appliquer une charge d'essai ou brancher une lampe sur chaque prise pour vérifier. SI LE BOUTON DE RÉENCLENCHEMENT NE RESSORT PAS, NE PAS SE SERVIR DE LA/DES PRISE(S). VOIR VOTRE CONCESSIONNAIRE POUR UN ENTRETIEN IMMÉDIAT.
8. Si le test de la/des prise(s) avec disjoncteur différentiel (GFCI) est positif, appuyer fermement sur le bouton de réenclenchement pour rétablir le courant. Vous devriez entendre ou sentir un déclic distinctif lorsque ceci est accompli. SI LA/LES PRISE(S) NE SE RÉENCLENCHE(NT) PAS CORRECTEMENT, NE PAS S'EN SERVIR. VOIR VOTRE CONCESSIONNAIRE POUR UN ENTRETIEN IMMÉDIAT.
9. Tourner l'interrupteur de la commande de ralenti sur la position marche (ON). L'appareil peut maintenant prendre des charges.

NOTE: Ce moteur est équipé d'un système d'arrêt en cas de niveau d'huile bas afin de protéger le moteur. Le moteur s'arrête quand le niveau d'huile devient trop bas. Le moteur ne redémarrera pas avant que de l'huile soit ajoutée. Consulter les consignes pour faire l'appoint d'huile dans la section "Préparation du groupe électrogène; Capacité d'huile du moteur."



(Fig. 3)



(Fig. 4)

ARRÊT

1. Supprimer les charges en débranchant les raccords électriques et en éteignant les appareils électriques.
2. Laisser le moteur tourner au ralenti pendant deux (2) minutes pour qu'il refroidisse.

NOTE: *Le groupe électrogène peut être endommagé si on ne permet pas au moteur de refroidir au ralenti pendant deux (2) minutes.*

3. Placer l'interrupteur du moteur sur la position ARRÊT.

COMMANDES

CAPTEUR DE NIVEAU D'HUILE:

NOTE: *Ce moteur est équipé d'un système d'arrêt en cas de niveau d'huile bas afin de protéger le moteur. Le moteur s'arrête quand le niveau d'huile devient trop bas. Le moteur ne redémarrera pas avant que de l'huile soit ajoutée. Si l'appareil est trop incliné en cours de fonctionnement, il peut s'arrêter soudainement bien que le niveau d'huile soit normal.*

Vérifier le niveau d'huile avant de redémarrer le moteur. Si l'appareil est incliné, remettre le moteur à l'horizontal et vérifier le niveau d'huile avant de redémarrer le moteur.

PANNEAU DE COMMANDE:

Les groupe électrogènes sont équipés comme suit:

- Interrupteur de la commande de ralenti
- Compteur horaire
- Voltmètre
- Disjoncteurs
- Deux prises femelles doubles (2 prises) protégées par disjoncteur différentiel (GFCI) de 125 Volt, 20 Ampères.
- Une prise verrouillable de 125 Volt, 30 Ampères.
- Une prise verrouillable de 125/250 Volt, 30 Ampères.
- Une prise verrouillable de 125/250 Volt, 50 Ampères.

NOTE: *Les prises verrouillables de 125/250 Volt, 230 Ampères; 125/250 Volt, 30 Ampères et de 125/250 Volt, 50 Ampères ne sont PAS protégées par un disjoncteur différentiel. Il faut utiliser des disjoncteurs différentiels externes si un tel dispositif est nécessaire ou désiré. Consulter les consignes de la section "Disjoncteur Différentiel" pour plus d'information.*



AVERTISSEMENT: IL NE FAUT JAMAIS DÉPASSER LA CAPACITÉ NOMINALE DUNE PRISE. Ces prises sont protégées contre les surcharges par des disjoncteurs magnétiques à réenclenchement. Si un disjoncteur se déclenche, il faut en déterminer la cause et la corriger avant de continuer l'utilisation.

COMMANDES

COMPTEUR HORAIRE:

Ces groupes électrogènes sont équipés d'un compteur horaire qui enregistre le nombre d'heures de fonctionnement de l'appareil. Ceci est très utile pour programmer l'entretien. Consulter le tableau périodique d'entretien pour le programme d'entretien recommandé.

VOLTMÈTRE:

Ces groupes électrogènes sont équipés d'un voltmètre. Le voltmètre est utilisé pour contrôler la tension correcte de l'appareil.

FONCTIONNEMENT DE LA COMMANDE DE RALENTI:

La commande de ralenti est installée en usine. Ce dispositif électrique est conçu pour laisser le moteur fonctionner au ralenti pour économiser du carburant, quand le groupe électrogène n'est pas en charge, et au régime de service régulé quand une charge est appliquée. Le système de ralenti a priorité sur le régulateur du moteur pour faire fonctionner le moteur au ralenti. Quand une charge est appliquée, le circuit électronique réagit pour désactiver le système de ralenti pour que le moteur puisse retourner au régime de service régulé.

Le système de commande du ralenti contrôle le régime du moteur de la manière suivante:

1. Démarrer le moteur avec l'interrupteur de la commande de ralenti en position d'arrêt (OFF).
2. Après une ou deux minutes de chauffage, appliquer une charge et mettre l'interrupteur en position de marche (ON). Le moteur retourne au ralenti après un délai de 5 à 8 secondes.
3. Quand une charge est appliquée sur le groupe électrogène, le système de commande de ralenti est désactivé. Le moteur accélère alors à son régime de service normal contrôlé par le régulateur.
4. Quand la charge est enlevée, le système de ralenti est réactivé et il ramène le moteur au régime de ralenti après un délai de 5 à 8 secondes.

NOTE: *Quand le moteur est au ralenti, la tension du groupe électrogène est réduite automatiquement pour baisser les températures du groupe électrogène. La tension retourne à la normale immédiatement quand une charge est appliquée.*

COMMANDES**DIMENSION DES CÂBLES:**

Une tension insuffisante risque d'endommager l'équipement. Par conséquent, pour éviter les chutes de tension excessives entre le groupe électrogène et l'équipement, le câble utilisé devra être de calibre suffisant par rapport à sa longueur. Le tableau de sélection des câbles indique la longueur maximale des câbles en fonction du calibre permettant d'acheminer les charges indiquées en toute sécurité.

COURANT EN AMPÈRES	CHARGE EN WATTS		LONGUEUR MAXIMALE DE CÂBLE (pi.)				
	SOUS 120V	SOUS 240V	FIL N°8	FIL N°10	FIL N°12	FIL N°14	FIL N°16
2,5	300	600		1000	600	375	250
5	600	1200		500	300	200	125
7,5	900	1800		350	200	125	100
10	1200	2400		250	150	100	50
15	1800	3600		150	100	65	
20	2400	4800	175	125	75	50	
25	3000	6000	150	100	60		
30	3600	7200	125	65			
40	4800	9600	90				

CHARGES DES MOTEURS ÉLECTRIQUES:

Il est caractéristique pour les moteurs électriques ordinaires en fonctionnement normal de consommer jusqu'à six fois leur courant de fonctionnement au démarrage. Ce tableau peut être utilisé pour estimer la puissance en Watts nécessaire pour démarrer les moteurs électriques "CODE G."



ATTENTION: SI UN MOTEUR ÉLECTRIQUE REFUSE DE DÉMARRER OU D'ATTEINDRE SON RÉGIME DE FONCTIONNEMENT, ARRÊTER IMMÉDIATEMENT L'APPAREIL OU L'OUTIL AFIN D'ÉVITER TOUT DOMMAGE À L'ÉQUIPEMENT. VÉRIFIER TOUJOURS QUE LA CONSOMMATION DE L'OUTIL OU DE L'APPAREIL UTILISÉ EST COMPATIBLE AVEC LA PUISSANCE DE SORTIE DU GROUPE ÉLECTROGÈNE.

PUISSANCE DU MOTEUR (CH)	PUISSANCE (W) DE FONCTIONNEMENT	PUISSANCE (WATTS) NÉCESSAIRE AU DÉMARRAGE DU MOTEUR		
		RÉPULSION-INDUCTION	CONDENSATEUR	PHASE AUXILIAIRE
1/8	275	600	850	1200
1/6	275	600	850	2050
1/4	400	850	1050	2400
1/3	450	975	1350	2700
1/2	600	1300	1800	3600
3/4	850	1900	2600	
1	1100	2500	3300	

Dépannage

Symptôme

Problème

Solution

Le moteur ne démarre pas.

L'interrupteur du moteur est en position d'arrêt (OFF).

Mettre l'interrupteur du moteur en position de marche (ON).

Le réservoir de carburant est vide.

Remplir le réservoir selon les instructions contenues dans ce manuel.

Niveau d'huile du moteur est insuffisant.

Vérifier le niveau d'huile. Ce moteur est équipé d'un détecteur de niveau d'huile bas. Ce moteur ne peut pas être démarré si le niveau d'huile n'est pas plus élevé que la limite inférieure prescrite.

Pas d'étincelle au niveau de la bougie.

Enlever le capuchon de la bougie. Nettoyer toute saleté autour de la base de la bougie, puis retirer la bougie. Installer la bougie dans le capuchon de la bougie. Mettre l'interrupteur du moteur en position de marche (ON).

Tout en mettant l'électrode sur une bonne masse du moteur, tirer sur le lanceur à rappel pour voir si une étincelle traverse l'écartement des électrodes. Si il n'y a pas d'étincelle, remplacer la bougie.

Remonter la bougie et démarrer le moteur en suivant les instructions contenues dans ce manuel.

Consulter un concessionnaire John Deere.

Pas de courant en sortie du groupe électrogène.

Déclenchement des disjoncteurs. Cordons électriques et rallonges inadéquats.

Réarmer les disjoncteurs. Vérifier la capacité des cordons électriques et des rallonges dans la section Commandes; la taille des câbles dans ce manuel. Consulter un concessionnaire John Deere.

Entretien

ENTRETIEN DU GROUPE ÉLECTROGÈNE

Maintenir tous les événements dégagés.

Maintenir le groupe électrogène dans un état propre. NE PAS l'asperger d'eau.

Périodiquement, vérifier et serrer tous les éléments de fixation (écrous et boulons), voir le tableau d'entretien périodique.

FICHER D'ESSAIS DES DISJONCTEURS:

Comme avec les autres dispositifs de sécurité, les disjoncteurs (GFCI) fournis avec ces groupes électrogènes doivent être examinés chaque mois pour assurer qu'ils fonctionnent correctement. Pour tester les disjoncteurs (GFCI), suivre les instructions suivantes et enregistrer la date du test ci-dessous.

1. Appuyer sur le bouton "TEST" avec le groupe électrogène en marche et avec l'interrupteur de commande de ralenti en position de démarrage (START). Le bouton de réenclenchement (RESET) devrait sortir. Les deux prises du boîtier doivent alors être hors tension. Vérifier en branchant une lampe dans chaque prise.



AVERTISSEMENT: SI LE BOUTON DE RÉENCLANCHEMENT NE RESSORT PAS, NE PAS SE SERVIR DE LA/DES PRISE(S). VOIR VOTRE CONCESSIONNAIRE MI-T-M POUR UN ENTRETIEN IMMÉDIAT.

2. Si le disjoncteur (GFCI) fonctionne normalement, remettre le système sous tension en appuyant FERMEMENT sur le bouton de réenclenchement "RESET" jusqu'à ce qu'un déclic distinctif soit entendu ou senti. SI IL N'EST PAS POSSIBLE DE RÉARMER LE DISJONCTEUR DIFFÉRENTIEL (GFCI), N'UTILISER AUCUNE DES PRISES DU BOITIER DOUBLE. Il faut faire réparer l'appareil immédiatement par un centre de service agréé Mi-T-M.
3. Des charges générées par des vibrations élevées ou des chocs mécaniques violents peuvent déclencher les disjoncteurs différentiels (GFCI). Si l'un ou l'autre des disjoncteurs différentiels se déclenche tout seul, le réarmer et exécuter les étapes du test 1 et 2.
4. Répéter les étapes 1 à 3 pour le second disjoncteur différentiel (GFCI).



AVERTISSEMENT: BIEN QUE LA PROCÉDURE CI-DESSUS INDIQUE QUE LE DISJONCTEUR DIFFÉRENTIEL (GFCI) FONCTIONNE CORRECTEMENT AVEC UN GROUPE ÉLECTROGÈNE QUI N'EST PAS MIS À LA TERRE OU QUI EST MAL MIS À LA TERRE, IL FAUT CEPENDANT METTRE LE GROUPE ÉLECTROGÈNE À LA TERRE EN SUIVANT LES INSTRUCTIONS DE MISE À LA TERRE À LA PAGE 47 POUR QUE LE DISJONCTEUR DIFFÉRENTIEL (GFCI) SOIT EFFICACE ET PROTÈGE L'UTILISATEUR CONTRE LES COURANTS PARASITES.

Année	Janv.	Févr.	Mars	Avr.	Mai	Juin.	Juill.	Août.	Sep.	Oct.	Nov.	Déc.

NOTE: Dans certains cas, le disjoncteur différentiel ne fournit pas de protection contre les risques d'électrocutions. **EXEMPLE:** Une personne peut recevoir un choc si elle touche deux ou plus des fils d'un cordon électrique endommagé et n'est pas en contact direct avec la terre. Puisque le courant parasite n'a pas de passage vers la terre, le disjoncteur différentiel ne peut pas remplir son rôle et la personne peut recevoir des blessures graves.

Le disjoncteur différentiel est simplement une caractéristique de sécurité supplémentaire. Rien ne peut remplacer le respect des précautions de sécurité, des bonnes pratiques de sécurité avec les circuits électriques et un bon entretien des cordons électriques, de l'équipement et des connexions.

ENTRETIEN

ENTRETIEN DES PIÈCES D'ÉMISSION PAR ÉVAPORATION:

Les pièces fournies avec l'appareil que vous venez d'acheter sont conformes aux normes d'émission par évaporation du Comité des Ressources de l'Air de la Californie.

1. Canalisation de carburant
2. Raccords de canalisation de carburant
3. Réservoir de carburant et bouchon
4. Bidon de carbone et de supports de montage

Ces pièces doivent être examinées tous les jours afin de s'assurer qu'elles ne comportent ni fissures, ni fuites, ni usure anormale. Si vous constatez toute fissure, fuite ou usure anormale, vous devez remplacer immédiatement les pièces concernées.

RÉGLAGE DE LA COMMANDE DE RALENTI:

NOTE: *Le ralenti automatique est réglé entre 2550 et 2950 tr/min.*

Le régime de ralenti est réglé en usine et a rarement besoin d'être réglé. Nous recommandons de laisser tous les réglages de cette nature aux bons soins du concessionnaire Mi-T-M.

Habituellement, un régime irrégulier du moteur indique qu'il faut faire un réglage du carburateur pour obtenir un ralenti régulier. La commande de ralenti ne fonctionnera pas correctement si le régime de ralenti est inférieur à la limite recommandée ou si le carburateur est mal réglé.

FAIRE RÉPARER L'APPAREIL PAR UN CENTRE DE SERVICE MI-T-M AGRÉÉ.

ENTRETIEN**MOTEUR:**

Le moteur de ce groupe électrogène est réglé pour fonctionner à des vitesses proches de 3600 tours/mn (60Hz) sur toute la plage de puissance fournie. La vitesse de marche à vide (avant qu'une charge soit appliquée) sera juste un peu plus haute que la vitesse de charge et est normalement réglé à 3750 tours/mn.



AVERTISSEMENT: IL NE FAUT PAS MODIFIER LE MÉCANISME DU RÉGULATEUR, CHANGER SON RÉGLAGE DE FAÇON EXPÉRIMENTALE, NI POUSSER L'ACCELERATEUR POUR ESSAYER DE PRODUIRE PLUS DE COURANT ÉLECTRIQUE; CECI RISQUE D'ENDOMMAGER L'ÉQUIPEMENT ET DE CAUSER DES BLESSURES.

LE RÉGLAGE DU RÉGIME DU RÉGULATEUR DOIT ÊTRE LAISSÉ AUX BONS SOINS D'UN CONCESSIONNAIRE MI-T-M.

VÉRIFICATION DU NIVEAU D'HUILE:

Vérifier le niveau d'huile avant chaque utilisation et s'assurer qu'il est maintenu à un bon niveau comme le décrit la section "Préparation du groupe électrogène; Capacité d'huile du moteur."

VIDANGE D'HUILE:

Changer l'huile après les premières 20 heures de service. Par la suite, il faut la changer toutes les 100 heures.

1. Vérifier que le groupe électrogène est sur un sol horizontal. Vidanger l'huile usée alors que le moteur est chaud. La vidange s'effectue plus rapidement et plus complètement lorsque l'huile est chaude.
2. Arrêter le moteur.
3. Placer un récipient approprié sous le moteur pour recueillir l'huile usée, puis retirer le bouchon de remplissage, le boulon de vidange et la rondelle. (Fig. 5)



AVERTISSEMENT: L'HUILE QUI S'ÉCOULE PEUT ÊTRE TRÈS CHAUDE. POUR RÉDUIRE LES RISQUES DE BRÛLURES, LA MANIPULER AVEC PRÉCAUTION. METTRE L'HUILE USÉE AU REBUT D'UNE FAÇON APPROPRIÉE.

4. Vidanger complètement l'huile usée, puis remettre le boulon de vidange en place avec une rondelle neuve et le serrer à fond.

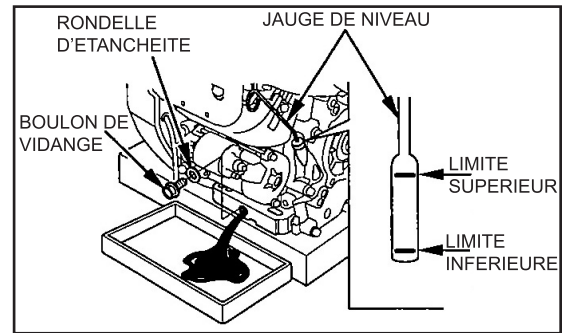
Jeter l'huile moteur usée d'une manière compatible avec l'environnement. Nous conseillons de la porter dans un récipient fermé au centre de traitement local ou à une station service pour qu'elle soit traitée. Ne pas la jeter aux ordures ni la déverser dans la terre ou dans un égout.

5. Avec le moteur à l'horizontale, faire l'appoint d'huile recommandée jusqu'au repère de limite maximum de la jauge.

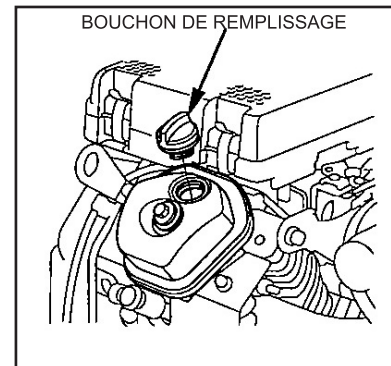
NOTE: L'utilisation du moteur avec un niveau d'huile insuffisant peut provoquer des dommages au moteur.

Le système Oil Alert (types applicables) arrête automatiquement le moteur avant que le niveau d'huile ne descende au-dessous du seuil de sécurité. Toutefois, pour éviter l'inconvénient d'un arrêt imprévu, remplir jusqu'à la limite maximum et vérifier le niveau régulièrement.

6. Remettre le bouchon de remplissage et la jauge correctement en place. (Fig. 6)



(Fig. 5)



(Fig. 6)

ENTRETIEN**FILTRE À AIR:**

AVERTISSEMENT : RISQUE D'INCENDIE OU D'EXPLOSION. NE PAS UTILISER D'ESSENCE OU DE SOLVANTS AVEC UN POINT D'ÉCLAIR BAS POUR NETTOYER L'ÉLÉMENT. NETTOYER L'ÉLÉMENT DANS UN ENDROIT BIEN VENTILÉ. S'ASSURER QU'IL N'Y A AUCUNE ÉTINCELLE OU FLAMMES PRÈS DE LA ZONE DE TRAVAIL. CECI INCLUT TOUT APPAREIL MÉNAGER AVEC UNE VEILLEUSE.

ATTENTION: IL NE FAUT JAMAIS FAIRE FONCTIONNER LE MOTEUR SANS FILTRE À AIR, SOUS PEINE DE DOMMAGES SÉRIEUX.

Inspecter le filtre à air tous les jours ou avant de faire démarrer le moteur. Vérifier qu'il n'y a pas d'accumulation importante de saleté et de débris et qu'aucun élément n'est desserré ni endommagé.

1. Libérer les deux languettes de verrouillage du couvercle de filtre à air ou enlevez l'écrou-papillon et déposer le couvercle. (Fig. 7)
2. Déposer le élément filtre en papier en filtre en mousse du couvercle.
3. Déposer le filtre en mousse du filtre en papier (si c'est approprié).
4. Contrôler les deux éléments du filtre à air et les remplacer s'ils sont endommagés.
5. Nettoyer les éléments du filtre à air s'ils doivent être réutilisés.

ÉLÉMENT DE PRÉFILTRE EN MOUSSE: Laver l'élément de préfiltre en mousse avec de l'eau chaude et du détergent. Rincer l'élément de préfiltre en mousse soigneusement afin d'éliminer toute trace de détergent. Bien le serrer pour éliminer l'excès d'eau mais ne pas le tordre. Laisser sécher l'élément de préfiltre en mousse à l'air.

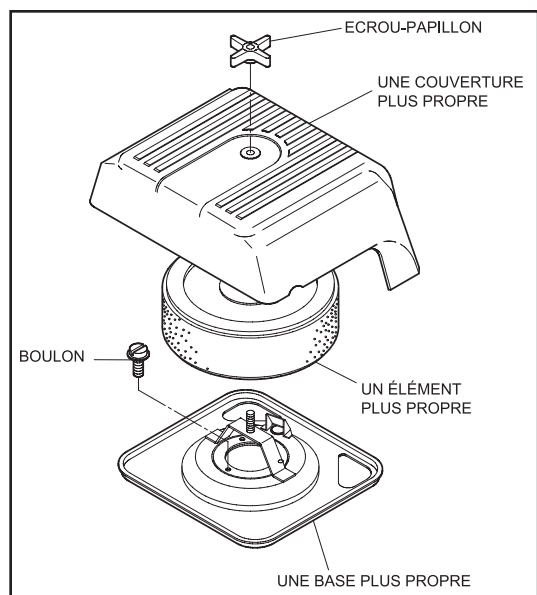
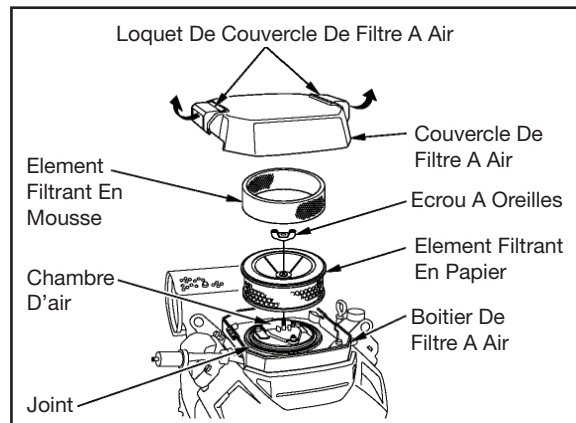
Saturer l'élément de préfiltre en mousse avec une huile de moteur neuve. Le serrer pour éliminer tout excès d'huile. **NE PAS** mettre d'huile moteur sur l'amortisseur en mousse.

NOTE: Nettoyer l'élément de préfiltre en mousse toutes les 25 heures de service (plus fréquemment dans un environnement extrêmement poussiéreux ou sale).

CARTOUCHE FILTRANTE EN PAPIER: Il ne faut pas laver la cartouche en papier ni utiliser d'air comprimé, car ceci peut l'endommager. Nettoyer la cartouche en la tapant doucement pour faire tomber la poussière. Remplacer la cartouche filtrante si elle est endommagée, déformée ou extrêmement sale. Il faut manipuler les cartouches filtrantes neuves avec précaution. Il ne faut pas utiliser de cartouches dont les surfaces de contact sont déformées ou endommagées.

NOTE: Remplacer la cartouche en papier toutes les 100 heures de service (plus fréquemment dans un environnement extrêmement poussiéreux ou sale.)

6. Essuyer la saleté à l'intérieur du corps et du couvercle de filtre à air à l'aide d'un chiffon humide. Veiller à ce que la saleté ne pénètre pas dans la chambre d'air menant au carburateur.
7. Placer l'élément filtrant en mousse dans le couvercle de filtre à air, puis reposer l'élément filtrant en papier et le couvercle sur le boîtier de filtre à air. Accrocher correctement de verrouillage.



(Fig. 7)

ENTRETIEN

NETTOYAGE ET RÉGLAGE DE L'ÉCARTEMENT DES BOUGIES:

Si la bougie est contaminée par du carbone, l'enlever avec un produit d'entretien pour bougie ou une brosse métallique.

Vérifier l'écartement des électrodes et le rajuster si nécessaire. Les écartements d'électrodes sont indiqués ci-dessous. Pour changer l'écartement, ne courber que l'électrode de coté, en se servant d'un outil pour bougie. (Voir Fig. 8)

Installer et serrer la bougie. Raccorder le fil de la bougie.
Bougie Recommandée:

MOTEUR	SUBARU	HONDA
BOUGIE	NGK BP6ES	NGK ZFR5F
ECARTEMENT DES ÉLECTRODES	0.7 - 0.8 mm (0.03 in.)	
COUPLE DE SERRAGE - NEUF	8.7-10.9 ft-lb	
COUPLE DE SERRAGE - RESSERRER	16.6-19.5 ft-lb	

PARE-ÉTINCELLES:

Le silencieux sera très chaud si le groupe électrogène a fonctionné. Lui permettre de refroidir avant de procéder.

NOTE: Enlever et nettoyer le pare-étincelles toutes les 100 heures de service ou quand nécessaire.

NOTE: Les utilisateurs de cet appareil sur les terres du service des forêts des Etats-Unis, et dans certains états, doivent respecter les règles de prévention d'incendie.

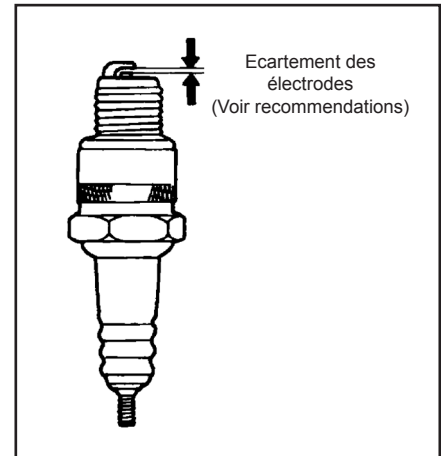
Nettoyer le pare-étincelles comme suit:
(Voir Fig.9 et 10)

1. Retirer la vis spéciale du silencieux et déposer le pare-étincelles.
2. Utiliser une brosse pour retirer la calamine du tamis du pare-étincelles. Veiller à ne pas endommager le tamis.

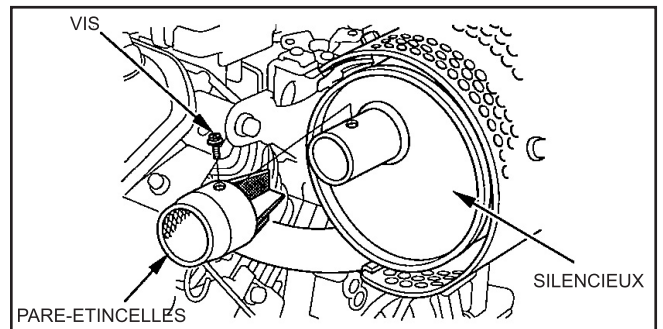
Le pare-étincelles ne doit pas être cassé ou troué.
Remplacer le pare-étincelles s'il est endommagé.

3. Reposer le pare-étincelles et le protecteur de silencieux dans l'ordre inverse du démontage.

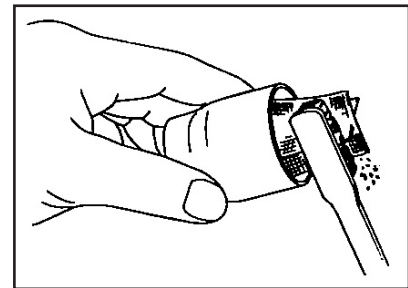
Les pare-étincelles sont disponibles chez votre concessionnaire Mi-T-M local. D'autres conditions d'utilisation seront peut-être requises, vérifier avec les autorités fédérales, régionales ou locales.



(Fig. 8)



(Fig. 9)



(Fig. 10)

ENTRETIEN**TABLEAU D'ENTRETIEN PÉRIODIQUE:**

Le moteur a besoin d'un entretien normal à des intervalles réguliers afin d'assurer son bon fonctionnement pendant une longue période de temps. Le Tableau d'Entretien Périodique ci-dessous identifie les inspections et interventions d'entretien périodiques ainsi que leurs intervalles appropriés. Le point centré indique que l'intervention correspondante doit être faite à cet intervalle.

NOTE: Certains réglages nécessitent l'utilisation d'outils spéciaux ou d'autre équipement. Un tachymètre électronique aidera à régler le régime de ralenti et de service.

	Chaque jour	Toutes les 25h	Toutes les 100 h	Toutes les 200 h	Avant remisage
Vérifier le niveau de carburant	•				
Vérifier le niveau d'huile du moteur	•				
Vérifier qu'il n'y a pas d'écrous ou de boulons desserrés ou perdus	•				
Rechercher d'éventuelles fuites	•				
Vérifier que les ailettes du cylindre et de la culasse ne sont pas sales ou poussiéreuses.	•				
Inspection de la conduite de carburant (remplacer selon le besoin)	•				
Nettoyer l'élément en mousse du filtre à air (**)		•			
Serrer les écrous et boulons (*)			•		
Vidange d'huile du moteur (*)			•		
Nettoyer le filtre à carburant			•		
Remplacer la cartouche filtrante en papier (**)			•		
Nettoyer la poussière et saleté des ailettes du cylindre et de la culasse (**)			•		
Nettoyer la bougie et régler l'écartement des électrodes				•	
Ajouter du stabilisateur de carburant					•
Faire tourner le moteur jusqu'à sec de carburant					•

* Exécuter ces opérations après les 5 premières heures de service, ensuite aux intervalles recommandés.

** Intervention plus fréquente en cas d'environnement poussiéreux.

NOTE: Ces interventions doivent être effectuées avec des outils appropriés. Consulter votre centre de service Mi-T-M pour l'entretien si vous n'avez pas le bon équipement et les compétences mécaniques.

Remisage

STOCKAGE DU GÉNÉRATEUR

COURT TERME (1 à 6 mois):

1. Ajouter du conditionneur et stabilisateur d'essence à la concentration spécifiée.
2. Faire tourner l'appareil pendant deux (2) minutes pour assurer que le mélange de carburant se trouve dans tout le système de carburant. Fermer le robinet de carburant et laisser marcher l'appareil jusqu'à ce qu'il s'arrête.
3. Enlever la bougie, verser lentement une à deux cuillerées à café (5 à 10 cm³) d'huile moteur dans le cylindre, tirer doucement deux ou trois fois le cordon du lanceur, remonter la bougie et la serrer fermement.
4. Nettoyer la surface extérieure du groupe électrogène et appliquer de l'antirouille.
5. Remiser le groupe électrogène dans un endroit sec et bien aéré.

LONG TERME (plus de 6 mois):

1. Ajouter du conditionneur et stabilisateur d'essence à la concentration spécifiée.
2. Faire marcher le groupe électrogène jusqu'à ce que le réservoir de carburant et le carburateur soient secs. Quand le moteur commence de s'arrêter, placer la manette du starter en position de démarrage à froid.

NOTE: Désactiver la commande de ralenti pour diminuer le temps de fonctionnement.

3. Enlever la bougie, verser lentement une à deux cuillerées à café (5 à 10 cm³) d'huile moteur dans le cylindre, tirer doucement deux ou trois fois le cordon du lanceur, remonter la bougie et la serrer fermement.
4. Nettoyer la surface extérieure du groupe électrogène et appliquer de l'antirouille.
5. Remiser le groupe électrogène dans un endroit sec et bien aéré.



AVERTISSEMENT: LE CARBURANT DOIT ÊTRE VIDÉ DANS UN ENDROIT BIEN AÉRÉ ET DOIT ÊTRE ENTREPOSÉ DANS UN CONTENEUR HOMOLOGUÉ POUR ESSENCE.

Caractéristiques

CARACTÉRISTIQUES

ARTICLE	CARACTÉRISTIQUES	
	GEN-14000-1MHE	GEN-13000-1MSE
Moteur	Honda	Subaru
Puissance nominale en Watts (AC)	14,000 watts	13,000 watts
Puissance maximum en Watts (AC)	12,000 watts	11,500 watts
Tension nominale	120/240V	120/240V
Ampérage Maximum	100/50	108.3/54.2
Ampérage Continu	83.3/41.7	95.8/47.9
Fréquence	60	60
Capacité du réservoir de carburant	50.0 Litres	51.10 Litres
Heures de marche par réservoir de carburant*	8.0 hrs.	8.8 hrs.
Batterie pour Démarrage électrique	1	#32-1077

* à charge nominale

NOTE: Les caractéristiques de l'appareil sont basées sur un fonctionnement en conditions standard de 60 F (15° C) et au niveau de la mer. La performance du groupe électrogène devra être diminuée en fonction de la température et de l'altitude (de 1% pour chaque 10° F (-12° C) au-dessus de 60° F (15° C) et de 3,5% pour chaque tranche de 1000 pieds (300 mètres) au-dessus du niveau de la mer). En raison des caractéristiques opérationnelles du disjoncteur de genre thermique, on notera une légère réduction de la puissance du groupe électrogène en même temps qu'une augmentation proportionnelle de température ambiante.

En raison d'améliorations continues du produit, les caractéristiques sont susceptibles de modifications sans préavis.


NOTER LE NUMÉRO DE SÉRIE

Noter ci-dessous le numéro de modèle ainsi que le numéro de série et la date d'achat de votre appareil. Votre concessionnaire a besoin de ces renseignements lors des commandes de pièces

Numéro de modèle _____

Numéro de série _____

Date d'achat _____
(À remplir par l'acheteur)

GENERATOR	
MODEL NO. <input type="text"/>	SERIAL NO. <input type="text"/>
CONTINUOUS OUTPUT, W <input type="text"/>	DATE CODE <input type="text"/>
VOLT, V <input type="text"/>	INSULATION CLASS <input type="text"/>
AMP, A <input type="text"/>	RATED RPM <input type="text"/>
FREQUENCY, Hz <input type="text"/>	MAX. AMBIENT TEMP., °C <input type="text"/>
	FOR ELECTRICAL EQUIPMENT ONLY POUR MATERIEL ELECTRIQUE SEULEMENT
201473	Made in U.S.A. 34-0075-100300-ENG.

Garantie

CONDITIONS DE LA GARANTIE

Mi-T-M garantit toutes les pièces (à l'exception de celles stipulées ci-dessous), de votre nouveau groupe électrogène en cas de défauts de matériaux et de fabrication pendant les périodes suivantes:

Pendant deux (2) années à partir de la date d'achat initiale.

Les pièces défectueuses ne résultant pas d'une usure normale seront réparées ou remplacées à notre choix pendant la période de garantie. Quoi qu'il arrive, le remboursement est limité au prix d'achat.

PIECES EXCLUES DE LA GARANTIE

1. Le moteur et le générateur sont garanti séparément par son fabricant et est sujet aux limites ci-inclus.
2. Cette garantie ne couvre pas les pièces endommagées par l'usure normale, une mauvaise utilisation, une utilisation abusive ou un fonctionnement autre que recommandé. La garantie ne couvre pas les dégâts provoqués par un mauvais suivi des procédures de fonctionnement et d'entretien .
3. L'utilisation de pièces de réparation autres que celles d'origine annule la garantie.
4. Les pièces renvoyées en port payé, à notre usine ou à un centre de réparation Mi-T-M agréé seront inspectées et remplacées gratuitement si elles s'avèrent être défectueuses et couvertes par la garantie. Il n'existe aucune garantie prolongeant les dates d'expiration stipulées ci-dessus. Le fabricant n'est en aucun cas responsable des pertes d'usage, de temps ou de location, des dérangements causés, des pertes commerciales ou des dommages qui en résultent.

Pour toute question de service ou de garantie, s'adresser à
Mi-T-M Corporation, 50 Mi-T-M Drive, Peosta, IA 52068-0050
Tél.: 563-556-7484 / 800-553-9053 / Fax 563-556-1235
Du lundi au vendredi de 8h00 à 17h00, heure centrale

DÉCLARATION DE GARANTIE CONTRÔLE D'ÉMISSIONS POUR LA CALIFORNIE

VOS DROITS ET OBLIGATIONS DE GARANTIE

Le comité des ressources de l'air de la Californie et Mi-T-M sont heureux d'expliquer la garantie du système de contrôle d'émissions de votre 2020/2021 l'année modèle petit moteur non routier (désigné ci-dessous par "SORE"). En Californie, les nouveaux SORES doivent être conçus, construits et équipés pour se conformer aux normes anti-smog rigoureuses de l'état.

Mi-T-M doit garantir le système de contrôle d'émissions de vos SORES pendant la durée de temps décrite ci-dessous, à condition qu'il n'y ait eu aucun abus, négligence ou entretien incorrect de vos SORES.

Votre système de contrôle d'émissions peut inclure des pièces telles que le carburateur ou le système d'injection de carburant, les canalisations de carburant et le circuit d'allumage. Les tuyaux, attaches, connecteurs et autres pièces liés aux émissions peuvent aussi être inclus.

Quand une condition couverte par la garantie existe, Mi-T-M réparera gratuitement votre petit moteur non-routier, y compris le diagnostic, les pièces et la main d'œuvre.

COUVERTURE DE LA GARANTIE DU FABRICANT :

Le système de contrôle d'émissions est garanti pendant deux années. Si toute pièce liée aux émissions de votre moteur est défectueuse, elle sera réparée ou remplacée par Mi-T-M.

RESPONSABILITÉS DU PROPRIÉTAIRE VIS À VIS DE LA GARANTIE:

- En tant que propriétaire du SORE, vous êtes responsable de l'exécution des opérations d'entretien obligatoires énumérées dans le manuel du propriétaire. Mi-T-M recommande que vous conserviez tous les reçus concernant l'entretien de votre SORE, mais Mi-T-M ne peut dénier la garantie seulement à cause de reçus manquants.
- En tant que propriétaire du SORE, vous devez cependant être conscient que Mi-T-M peut refuser la couverture de la garantie si votre SORE ou une pièce tombe en panne à cause d'abus, de négligence, d'entretien incorrect ou de modifications non approuvées.
- Vous êtes responsable de la présentation de votre SORE à un centre de distribution ou chez un concessionnaire réparateur agréé par Mi-T-M Corporation, 50 Mi-T-M Drive, Peosta, IA 52068 (désigné ci-dessous par Mi-T-M) dès qu'un problème est identifié. Les réparations de garantie doivent être effectuées dans un délai raisonnable sans dépasser 30 jours.

Pour toute question relative à votre couverture de garantie, vous devez contacter le département Service après-vente de Mi-T-M à 1-800-553-9053.

Mi-T-M garantit à l'acheteur initial et à chaque acheteur suivant que le SORE (1) a été conçu, fabriqué et équipé pour se conformer à tous les règlements en vigueur, et (2) est exempt de défauts de matière première ou de construction qui feraient qu'il ne soit pas conforme aux normes comme peut être applicable dans les termes et conditions indiquées ci-dessous.

COUVERTURE DE GARANTIE GÉNÉRALE DES SYSTÈMES D'ÉMISSIONS

-La Californie Seulement-

- (a) La période de garantie commence à la date où le moteur est livré à l'acheteur initial ou lors de sa première utilisation. La période de garantie est de deux années.
- (b) La garantie des pièces relatives aux émissions, sujette à certaines conditions et exclusions telles qu'indiquées ci-dessous, est la suivante :
 - (1) Toute pièce sous garantie qui ne doit pas être remplacée au titre d'une révision obligatoire spécifiée dans votre manuel du propriétaire est garantie pour la période de garantie indiquée ci-dessus. Si la pièce s'avère défectueuse pendant la période de couverture de garantie, elle sera réparée ou remplacée par Mi-T-M selon le paragraphe ci-dessous. Toute pièce ainsi réparée ou remplacée au titre de la garantie sera garantie pendant le reste de la période de garantie.
 - (2) Toute pièce sous garantie qui est seulement programmée pour une inspection régulière dans votre manuel du propriétaire est garantie pour la période de garantie indiquée ci-dessus. Toute pièce ainsi réparée ou remplacée au titre de la garantie sera garantie pendant le reste de la période de garantie.
 - (3) Toute pièce sous garantie qui doit être remplacée au titre d'une révision obligatoire dans votre manuel du propriétaire n'est garantie que pendant la période de temps jusqu'à la première date de remplacement programmé pour cette pièce. La pièce sera réparée ou remplacée par Mi-T-M selon le paragraphe (4) ci-dessous si elle s'avère défectueuse avant le premier remplacement programmé. Toute pièce ainsi réparée ou remplacée au titre de la garantie sera garantie pendant le reste de la période jusqu'au moment du premier remplacement programmé pour la pièce.
 - (4) La réparation ou le remplacement de toute pièce sous garantie, sous réserve des conditions ci-incluses, sera exécuté gratuitement chez un concessionnaire réparateur agréé.
 - (5) Nonobstant les clauses de ce document, les services ou réparations sous garantie seront fournis par tous nos centres de distribution agréés pour l'entretien des moteurs en question.
 - (6) Le propriétaire ne sera pas facturé pour le travail de diagnostic qui mène à la détermination qu'une pièce sous garantie est en effet défectueuse, à condition que le travail de diagnostic soit effectué par un concessionnaire réparateur agréé.
 - (7) Pendant toute la période de garantie du moteur indiquée ci-dessus, Mi-T-M maintiendra à disposition un stock de pièces sous garantie suffisant pour satisfaire la demande prévue pour telles pièces.

- (8) Toute pièce de remplacement peut être utilisée pour l'exécution de tout entretien ou réparations au titre de la garantie et doit être fournie gratuitement au propriétaire. Une telle utilisation ne changera pas les obligations de Mi-T-M vis à vis de la garantie.
 - (9) Les pièces ajoutées ou modifiées qui ne sont pas homologuées par le comité des ressources de l'air de la Californie ne doivent pas être utilisées. L'utilisation de pièces ajoutées ou modifiées non-homologuées par l'acheteur initial constituera un motif de non-application de garantie. Mi-T-M ne pourra être tenu responsable de la défaillance de pièces sous garantie dont la cause est l'utilisation de pièces ajoutées ou modifiées non-homologuées.
 - (10) Mi-T-M fournira tous les documents décrivant les procédures ou politiques de garantie Mi-T-M dans les cinq jours ouvrables suivant la demande du dirigeant.
- (c) PIÈCES SOUS GARANTIE: La réparation ou le remplacement au titre de la garantie de toute pièce normalement couverte par cette garantie peut être refusée si Mi-T-M démontre que le moteur a été abusé, négligé ou mal entretenu, et que cet abus, négligence ou mauvais entretien est la cause directe de la nécessité de réparer ou remplacer cette pièce. Néanmoins, le réglage d'une pièce comprenant un dispositif limiteur de réglage installé en usine et qui fonctionne correctement est tout de même couvert par la garantie. Les pièces suivantes sont couvertes sous la garantie d'émissions.
- (1) Réservoir de carburant*
 - (2) Bouchon de carburant
 - (3) Canalisation de carburant (pour carburant liquide et vapeurs de carburant)
 - (4) Raccords de canalisation de carburant
 - (5) Attaches *
 - (6) Soupapes de surpression*
 - (7) Valves de régulation *
 - (8) Électrovannes de commande*
 - (9) Contrôles électroniques*
 - (10) Diaphragmes de contrôle du vide *
 - (11) Câbles de commande*
 - (12) Connexions de commande*
 - (13) Valves de purge*
 - (14) Joints*
 - (15) Séparateur de liquide/vapeur
 - (16) Cartouche de carbone
 - (17) Support de fixation de cartouche
 - (18) Raccord du port de purge du carburateur

*Note : En ce qui concerne le système de contrôle des émissions par évaporation.

Introducción

Gracias por comprando este Mi-T-M producto.

Lea este manual con cuidado para aprender como operar y heacerie servicao su máquina correcto. Falla resultaría en lesiones personales o daño a equipo.

Este manual debe considerar una parte permanente de su máquina y debe quedar con máquina cuando venderla.

Medidas en este manual se dan en sistema métrico y en equivalentes de unidades de Estado Unidos. Use sólo partes y cierres de reemplazar correctos. Cierres métricos y pulgadas necesitarian un tirón especial de métrico o pulgada.


Lados de mano derecha y mano izquierda se determinan de que da al fin de máquina.

El número de serie está situada en sección de especificaciones o números de identificación. Escriba correcta todos números para ayndaría en encontrar la máquina si sea robado. Su concesionario también necesite estos números cuando ordenaría partes. Ponga números de identificación en lugar seguro atuera de máquina.


Garantía provece de concesionario Mi-T-M para quien opere y mantenga su equipo como descrito en este manual. Este manual está explicado en certificado de garantía que se vea en este manual.

Esta garantía provece la seguridad que su concesionario Mi-T-M daría garantía de productos donde defectos aparecen durante tiempo de garantía. Debe abusar al equipo o cambios para modificar la función atrás de especificaciones de fabrica la garantía será vacío.

ADVERTENCIA

 ADVERTENCIA: Este producto puede exponerlo a productos químicos, incluido el plomo, que el Estado de California conoce a causar cáncer y defectos congénitos u otros daños reproductivos. Para obtener más información, visite www.P65Warnings.ca.gov

ADVERTENCIA

 ADVERTENCIA: Este producto puede exponerle a químicos incluyendo carbon monoxide, que es conocido por el Estado de California como causante de defectos de nacimiento u otros daños reproductivos. Para mayor información, visite www.P65Warnings.ca.gov.

Materias

	Página
Seguridad	69
Mandos	77
Preparación la generador	78
Operación	82
Localización de fallas	86
Servicio	87
Almacenamiento	93
Especificaciones	94
Garantía	95

Toda información, ilustraciones, y especificaciones en este manual se basa en información lo último que disponible al tiempo de publicación. Se reserva el dercho de efectuar cambios sin previo aviso.

Materias

Seguridad

RECONOZCA INFORMACIÓN DE SEGURIDAD

Este es el símbolo de alerta de seguridad. Cuando mire este símbolo en la máquina o manual, sea alerta de posibilidad o potencia de graves personales.

Siga precauciones recomendables y prácticas de operación.



COMPRENDA PALABRAS DE ALERTAS

Una palabra de alerta -- Peligro, Advertencia, Precaución -- se usa con el símbolo de alerta de seguridad. Peligro indica la situación más seria.

Señales de seguridad como PELIGRO y ADVERTENCIA está situada cerca de riesgos específicos. Precauciones generales están en una lista en las señales de seguridad precaución a mensajes de seguridad en este manual.

 **PELIGRO**

 **ADVERTENCIA**

 **PRECAUCION**

SIGA LAS INSTRUCCIONES DE SEGURIDAD

Lea con cuidado todos mensajes de seguridad en este manual y en las señales de seguridad en máquina. Mantengase señales de seguridad en condición bueno. Reemplace desaparecidos o señales de seguridad con daño. Asegurese que componentes nuevos de equipo y partes de reparación incluir las señales de seguridad último. Señales de seguridad para reemplace son disponibles de su concesario.

Aprenda como operar la máquina y como usar los mandos correcta. No permita nadie para operar sin instrucciones.

Mantengase la máquina en condición corecta para trabajar. Modificaciones con no autorizado a la máquina pueden afectar la función y/o seguridad y afecta la vida de máquina.

Si usted no entiende cualquier parte de este manual y no necesita ayuda, entre en contacto con a su distribuidor.





MONÓXIDO DE CARBONO- GAS VENENOSO

Use generador en aire libre, afuera de ventanas abiertas, tiros, o puertas.

Exhausto de generador contiene monóxido de carbono- un gas venenoso que puede matarle. No puede oler o ver este gas.

Nunca use generador en espacios cerrados o parcialmente cerrados. Generadores puede producir nevels altas de monóxido de carbono muy rápido. Cuando use un generador portable, recuerde que no puede oler o ver monóxido de carbono. Aunque si no pueda oler gases de exhausto, puede exponerle a monóxido de carbono.

Si empieza sentir enfermo, mareo, o débil cuando usando generador, vaya adentro PRONTO. NO RETRASE. Monóxido de carbono de generadores puede llevar rápidamente a todo incapacitado y muerte.

Si tenga síntomas serias, tenga atención medica inmediatamente. Diga empleados medicos que sospechar de venenoso de monóxido de carbono. Si tenga síntomas mientras adentro diga alguien llamar el departamento de fuegos para determinar cuando seguro para entrar otra vez el edificio.

NUNCA opere generador en atmósfera explosivo, cerca materias combustibles o donde ventilación no es suficiente para llevar gases de exhausto afuera. **Gases de exhausto puede causar lesiones graves o muerte.**

NUNCA use generador adentro, incluyendo en casas, garajes, sótanos, espacios pequeños, y otras áreas cerradas o parcialmente cerradas, aunque con ventilación. Abriendo puertas y ventanas o usando ventiladores no prevenir acumulación de monóxido de carbono en casas.

Siga las instrucciones que viene con su generador. Encuentre unidad de aire libre y afuera de puertas, ventanas, y tiros que puede permitir gas de monóxido de carbono para entrar adentro.

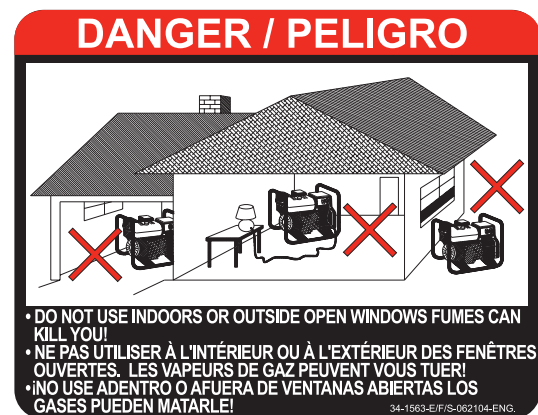
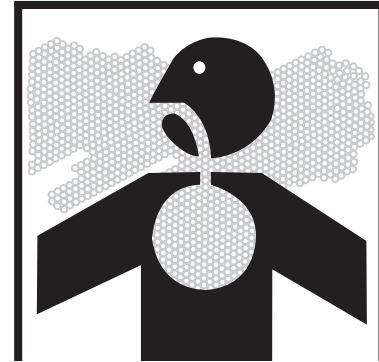
Funcione SOLAMENTE el generador al aire libre y lejos de tomas de aire.

NUNCA funcione el generador dentro de hogares, de garages, de vertientes, o de otros espacios semi-enclosed. Estos espacios pueden atrapar los gases venenosos INCLUSO SI usted funciona un ventilador o abre puertas y ventanas.

Si usted comienza a sentirse enfermo, mareado, o débil mientras que usa el generador, cerró si apagado y consigue el aire fresco ENSEGUIDA. Vea a doctor. Usted puede tener envenenamiento de monóxido de carbono.

Instale alarmas de monóxido de carbono que operados de bateria o alarmas de monóxido de carbono enchufadas con seguridad de bateria en su casa según las instrucciones de instalación de fabricante. Las alarmas de monóxido de carbono deben tener certificación de requisitos de calidades de seguridad últimos para alarmas de monóxido de carbono. (UL 2034, IAS 6-96 o CSA 6.19.01).

Examine su alarma de monóxido de carbono frecuentemente y reemplace baterías muertas.





INSTRUCCIONES DE SEGURIDAD DE LLENDADO DE COMBUSTIBLE

Gasolina es flamable extremo y sus vapores pueden explotar si inflamarse.

Observe todas regulaciones de seguridad para manejando seguro de combustible. Maneje combustible en envases de seguridad. Si envase no tiene pico, use un embudo.

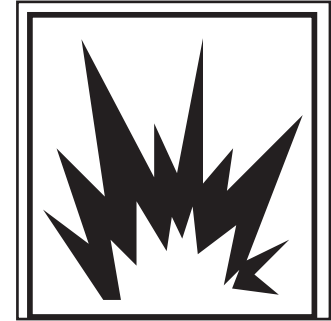
No sobrellene el tanque de combustible, mantenga espacio para expansión de combustible.

No rellene tanque de combustible mientras el motor está funcionando. Antes de rellenando generador, doble apagado y permite enfriarse. Gasolina que derramada en partes del motor puede inflamarse.

Llene el tanque solamente en una área de tierra pelada. Mientras llenando el tanque, mantenga calor, chispas, y llamas abiertas afuera. Con cuidado limpie todo combustible derramado antes de empezando el motor.

Siempre llene tanque de combustible en una área con mucha ventilación para evite inhalando gases peligrosos.

NUNCA mantenga combustible para su generador e la casa. Gasolina, propano, kerosene, y otros líquidos flamables deben mantener afuera de áreas de vivienda en envases seguros sin vidrio y calificados correctos. No los mantenga cerca de aparato de ardiente de combustible como calentador de gas natural en un garaje. Si combustible derrame o envase no cerrado correcto, vapores invisibles de lata de combustible viaja adelante de la tierra y pueden inflamarse del piloto de aparato o de arcos de interruptores eléctricos en aparato.



DISYUNTOR DE FALLA A TIERRA

Estos generadores están equipados con dos receptáculos tres de 120VCA con disyuntores de falla a tierra. Esta es una medida de protección contra el peligro de electrocución por accidentes o fallas de herramientas, cordones y cables.



ADVERTENCIA: PARA QUE EL GFCI FUNCIONE CORRECTAMENTE, ES NECESARIO QUE EL GENERADOR TENGA LA TOMA A TIERRA ADECUADA. SIGA LOS PROCEDIMIENTOS CORRECTOS PARA LA TOMA A TIERRA QUE SE DETALLAN A CONTINUACIÓN.

Un GFCI es un aparato que interrumpe electricidad de cualquiera la utilitada o generador por un típico especial de corte circuito si hay una falla de corriente de flujo a la tierra.



ADVERTENCIA: SOLAMENTE ESTA PROTEGIDO POR "GFCI" EL ENCHUFE 120V DUPLEX.

Un GFCI puede usar sólo con generadores que tienen alambre neutro adherido interior a armazón y armazón conecta a tierra correcta. Un GFCI no opere en generadores que no tienen alambre neutro adherido a armazón o en generadores que no conectar a tierra correctos. Todos generadores de Mi-T-M tienen alambres de tierra adheridos internamente.

Un GFCI puede requerir de regulaciones de OSHA, Códigos de Eléctrico Nacional y Códigos local y federal cuando operando un generador.

Para más protecciones en contra de riesgos de descarga debido al equipo defectivo sujetar a recipientes de cerrado rosca, considere también el uso de un GFCI en cada recipientes.

Los GFCI y series de cordones protegidos y cables pueden comprar de casas locales de suministro eléctrico.



RIESGOS DE ELECTRICOS

Este producto tiene que tener la toma a tierra. Hay un director permanente entre el generador (bobinados del estator) y el marco. Si lo debe fallar o funcionar mal la toma a tierra proveer un camino de resistencia mínima para corriente eléctrico para reducir el riesgo de descarga eléctrica.



PELIGRO-CONEXIÓN INCORRECTA DE EQUIPO- CONDUCTOR DE TIERRA PUEDE RESULTAR EN RIESGO DE ELECTROCUCIÓN. HABLE CON UN ELECTRICISTA CALIFICADO O REPRESENTANTE DE SERVICIO SI TENGA DUDA SOBRE QUE LA UNIDAD TIENE LA TOMA A TIERRA CORRECTA.

Este generador tiene una terminal de tierra para su protección. Siempre completar el camino de tierra del generador a un fuente de tierra exterior como enseñar en la sección se llama “ Instrucciones de Toma a Tierra” en la sección de Preparación en este manual.

El generador es un fuente potencial de descarga de eléctrico si no mantenga seco. Mantenga el generador seco y no use en lluvia o condiciones mojados. Para porteger de humedad, opere en superficie seco abajo de una estructura abierta y como un dosel. Seque sus manos si mojados antes de tocando el generador.

Riesgo de descarga eléctrica si opere este generador con GFCI de falla (Interrupor de circuito de Falla tierra Integrado) Examine GFCI antes de cada uso, vea Instrucciones de Operando para más información. Si GFCI falla el exam, NO USE su generador. Contacte su concesionario de Mi-T-M.

Tape aparatos directamente entre el generador. O, use extensión muy resistente que tiene indice de aire libre y tiene indice (en vatios o amperios) por lo menos igual a la suma de las cargas de aparatos conectadas. Revise que todo cordón sea libre de cortos, roturas, y que la tapa tiene todos los tres dientes, especialmente un perno de tierra

NUNCA trate dar potencia a instalación de casa como tapando el generador entre un tomacorriente del muro, una práctica se llama “alimentando atraso.” Esta práctica es muy peligroso que presentar un riesgo de electrocución a trabajadores de utilidad y algunos vecinos que tienen servicio del mismo transformador de utilidad. Esta también circunvala aglunos aparatos de protección de circuito que son empotrados en la casa.

Si tiene que conectar el generador a la instalación de casa a aparatos de potencia, tiene un electricista calificado instala el equipo apropiado de acuerdo con códigos de eléctrico locales. O revise con su compañía de utilidad para preguntar sobre instalación de un interruptor apropiado de tranferir de potencia.

Para apagados de potencia, generadores estacionarios que instalados permanente son mejores para manteniendo potencia respalda a la casa. Hasta un generador portable que conecte correcto puede sobrecargar. Este puede resultar en recalentando o recalcando los componentes de generador, con la posibilidad de empezar a falla del generador.





ADVERTENCIAS IMPORTANTES DE SEGURIDAD

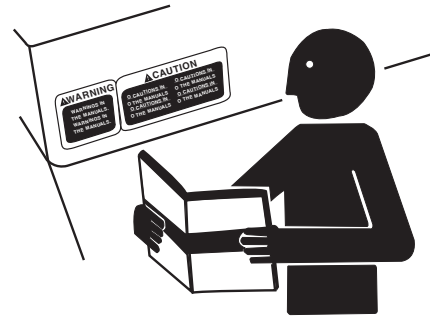
ADVERTENCIA: Para reducir el riesgo de lesiones, lea este manual de operador completamente. Cuando usando este producto, seguir siempre las precauciones básicas consiguientes:

1. Lea todas instrucciones antes de usando el producto.
2. Esta lavadora a presión está provista de un Interruptor de circuito de Falla a tierra (GFCI) integrado en el enchufe del cordón de suministro eléctrico. Use sólo piezas idénticas de repuesto que incluyan protección de GFCI, si fuera necesario reemplazar el cordón.
3. ¡NUNCA permita que los niños o adolescentes operen esta unidad!
4. No opere la unidad cuando esté fatigado o bajo la influencia de alcohol o drogas. Esté alerta. Observe lo que hace.
5. Observe las instrucciones de mantenimiento especificados en este manual.
6. Asegúrese de bloquearlas para evitar que la unidad se mueva durante la operación. Siempre asegúrese que unidad sea plana y conecte a tierra correcto.
7. Asegúrese que interruptor en herramientas Eléctricos está en posición de "OFF" antes de los tapando entre generador.
8. Mantenga área inmediato libre de todos transeúntes.
9. Asegúrese que cada persona que opera este generador tiene instrucciones correctos en operación con seguridad.



ADVERTENCIAS IMPORTANTES DE SEGURIDAD

10. No opere el generador o alguna herramienta eléctrica en área donde agua o materiales similares constituir un riesgo eléctrico a operador. **No opere en superficies mojadas, en lluvia o nieve.**
11. Siempre asegúrese que generador está en equilibrio seguro para no puede resbalar o mover, poniendo los trabajadores en posiciones peligrosos.
12. Evite tocando el colector de exhausto calor, moefle, o cilindros. Quede afuera de todas partes moviendo.
13. A menos que el herramienta o aparato es insultado doble, lo tiene que tomoar a tierra por recipiente que conectar a tierra correcto. (Vea Instrucciones de Preparando el Generador, Toma a Tierra). Herramientos y aparatos que tienen 3 tapones de dientes tienen que tapar entre extensiones y recipientes eléctricos con 3 agujeros. Antes de operando algo artículo eléctrico, asegúrese que estar en arreglo bueno.
14. Siga instrucciones en este manual cuando examinando Interruptor de Circuito de Falla a Tierra Integrado para asegurar operación fiable.
15. **Ten cuidado de usando este equipo en espacios limitados.** Espacios limitados, sin ventilación insuficiente de aire fresco, pueden contener gases peligrosos. Operando motores de gasolina en estos medios ambientes puede empezar explosiones y / o asfixia.



¡GUARDE ESTAS INSTRUCCIONES!



USE ROPA PROTECTORA

Use ropa medida cerca y equipo de seguridad apropiado al trabajo.

Use devise protector de oído como orejeras o tapón para el oído para proteger en contra de ruidos inaceptables y altos.

Operando equipo de seguridad necesita toda atención de operador. No use auriculares de radio o música mientras operando máquina.

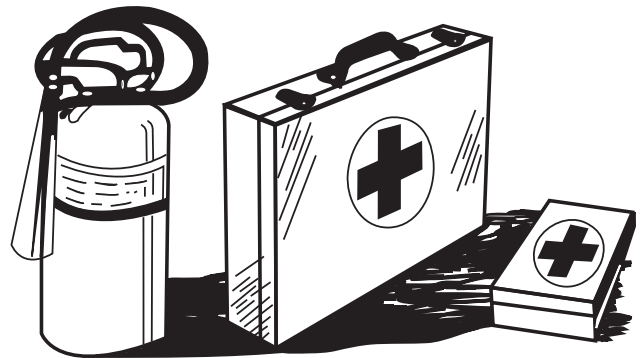


PREPARE PARA EMERGENCIAS

Mantenga primeros auxilios y extinguidor cerca.

Mantenga números de emergencia para doctores, servicio de ambulancia, hospital, y departamento de fuego cerca de telefono.

Sea preparado si un fuego empiece.



INSPECCIONES GENERADOR

Asegúrese que todas tapas, guardias, y escudos son ajustados y en posición.

Encuentre todos controles operando y etiquetas de seguridad.

Inspeccione cordón eléctrico para daño antes de usando. Hay un riesgo de electrocución de aplastante, cortando, o daño de calor.

SERVICIO CON CIUDADO GENERADOR

Apague la unidad, desconéctela de la red eléctrica, y permita que la unidad se enfríe antes de repararla.

Preste servicio en un área limpia, seca y planca. Embraque el freno para evitar el movimiento de la unidad.



SEÑALES DE SEGURIDAD



34-0889

POSICIÓN: ASAMBLEA DE ARMAZÓN

⚠️ WARNING

SHOCK



⚠️ WARNING: Cancer and Reproductive Harm — www.P65warnings.ca.gov/
A generator is a potential shock hazard which can result in serious injury or death.

- Generator must be kept dry.
- Do NOT operate unit with wet hands.
- Generator MUST be grounded before use. See operators manual for specific instructions.

- Use extreme caution when refueling unit.
- GFCI receptacles must be tested before each use. See operators manual.
- Always keep generator four (4) feet from any structure.
- Always remove refueling gas can from generator area.

⚠️ AVERTISSEMENT

DÉCHARGE

⚠️ AVERTISSEMENT: Cancer et toxique pour la reproduction — www.P65warnings.ca.gov/
Un générateur pose un danger de décharge électrique qui peut entraîner des blessures graves ou la mort.

- Le générateur doit être maintenu au sec.
- Ne PAS utiliser le générateur avec les mains mouillées.
- Le générateur doit être mis à la terre avant de l'utiliser. Consulter le manuel de l'utilisateur pour des instructions spécifiques.
- Soyez extrêmement prudent lors du ravitaillement en carburant de cet appareil.
- Les prises GFCI doivent être testées avant chaque utilisation. Voir le manuel de l'utilisateur.
- Placer toujours le générateur à une distance d'au moins quatre pieds (1m 22) de toute structure.
- Enlever toujours le bidon de ravitaillement en essence de l'endroit où se trouve le générateur.

⚠️ ADVERTENCIA

DESCARGA

⚠️ ADVERTENCIA: Peligro de cáncer y daño reproductivo — www.P65warnings.ca.gov/
Un generador es un potencial riesgo de descarga que puede resultar en lesiones graves o muerte.

- Generadores tienen que mantener secos.
- No opere esta unidad con manos mojadas.
- Generador TIENE que sea conectado a tierra antes de usar. Vea manual de operador para instrucciones específicas.

- Use caución extremo cuando rellenando esta unidad.
- GFCI recipientes tienen que tener un examen antes de cada uso. Vea manual de operador.
- Siempre mantenga el generador cuatro (4) pies de alta estructura.
- Siempre quite lata de gasolina de rellenando de área de generador.

34-2226/071318

34-2226

POSICIÓN: CUBIERTA SUPERIOR

OPERATION

Read Operator's Manual carefully before operating unit. Always make sure unit is level and properly grounded. Check engine oil before starting. See instructions located in operator's manual for starting procedure.

START-UP:

1. Turn idle control switch to OFF position.
2. Move choke lever to full choke.
3. Turn the engine key to the START position, hold until engine starts.
4. When the engine starts, release key, allowing it to return to the ON position.
5. Slowly move choke lever to no choke.
6. Allow unit to run two (2) minutes to warm-up.
7. Turn idle control switch to ON position. Loads can now be applied to unit.

SHUT-DOWN:

1. Remove all load by turning off electrical appliances and unplugging electric cords.
2. Allow engine to run at idle speed to cool two (2) minutes. Not allowing engine to cool may result in damage to unit.
3. Turn the engine key to the OFF position.

TEST GFCI RECEPTACLE(S) BEFORE EACH USE. SEE OPERATORS MANUAL FOR INSTRUCTIONS.

D'UTILISATION

Lire soigneusement le manuel de l'utilisateur avant de se servir de l'appareil. S'assurer toujours que l'appareil est sur une surface plane et qu'il est correctement relié à la terre. Vérifier le niveau d'huile du moteur avant le démarrage. Suivre les instructions qui se trouvent dans le manuel de l'utilisateur dans la section démarrage.

DEMARRAGE:

1. Tourner l'interrupteur de la commande de ralenti sur la position arrêt (OFF).
2. Placer la manette du starter en position maximum.
3. Placer la clé sur la position DEMARRAGE et la maintenir sur cette position jusqu'à ce que le moteur démarre.
4. Lorsque le moteur démarre, relâcher la clé et la laisser revenir sur la position MARCHÉ.
5. Ramener doucement la manette du starter en position fermée.
6. Permettre à l'appareil de tourner pendant deux (2) minutes pour qu'il se refroidisse.
7. Tourner l'interrupteur de la commande de ralenti sur la position marche (ON). L'appareil peut maintenant prendre des charges.

TESTER LA (LES) PRISE (S) GFCI AVANT CHAQUE UTILISATION, VOIR LE MANUEL DE L'UTILISATEUR POUR LES INSTRUCTIONS À SUIVRE.

ARRET:

1. Supprimer les charges en éteignant les appareils électriques et en débranchant les cordons électriques.
2. Laisser le moteur tourner au ralenti pendant deux (2) minutes pour qu'il refroidisse. L'appareil peut être endommagé si on ne permet pas au moteur de refroidir.
3. Placer l'interrupteur du moteur sur la position ARRÊT.

OPERACIÓN

Lea manual de operador antes de operar esta unidad. Siempre asegúrese que unidad sea plana y conecte a tierra correcto. Revise el aceite de motor antes de empezando. Vea instrucciones que están en manual de operador para procedimiento de empujando.

OPERACIÓN:

1. Doble el interruptor del control de flojea a posición de OFF.
2. Mueva palanca de choke a choke completo.
3. Gire la llave a la posición START, y reténgala ahí durante hasta que se ponga en marcha el motor.
4. Cuando el motor se ponga en marcha, suelte la llave dejándola que retorne a la posición ON.
5. Mueva muy despacio la palanca de choke a no choke.
6. Permita la unidad a opere por dos (2) minutos para precalentamiento.
7. Si unidad tiene control de flojea a posición de ON. Ahora cargas pueden aplicar a la unidad.

APAGADO:

1. Quite todas cargas como apagando aparatos eléctricos y desconecte cordones eléctricos.
2. Permita el motor a operar a velocidad de flojea para enfriarse por dos (2) minutos. No permitiendo enfriarse del motor puede resultar en daño a la unidad.
3. Gire el interruptor del motor a la posición OFF.

EXAMINE GFCI RECIPIENTES ANTES DE CADA USO. VEA MANUAL DE OPERADOR PARA INSTRUCCIONES.

34-2227/090112

34-1685

POSICIÓN: PANEL DE CONTROL

Mandos

MANDOS



A -- Panel de Control
B -- Freno

C -- Tanque de
Combustible
D -- Moeffe

E-- Gancho de
Levantamiento

Preparando la Generador

INSTRUCCIONES DE CONEXION A TIERRA

Este equipo debe conectarse a tierra. La conexión a tierra provee un camino de resistencia reducida a la corriente eléctrica para reducir el riesgo de choque, en caso de malfuncionamiento o falla.

! PELIGRO-LA CONEXIÓN INCORRECTA DEL CONDUCTOR DE CONEXIÓN A TIERRA DEL EQUIPO PUEDE RESULTAR EN UN RIESGO DE ELECTROCUCIÓN. SI USTED TIENE DUDAS ACERCA DE SI EL TOMACORRIENTE ESTÁ CORRECTAMENTE CONECTADO A TIERRA, CONSULTE CON UN ELECTRICISTA CALIFICADO O PERSONAL DE SERVICIO.

En todos los casos se deberán utilizar la tuerca con orejetas y el terminal de la toma a tierra situados en el armazón para conectar el generador a una fuente de toma a tierra adecuada. Se deberá utilizar un cable de tamaño #8 para efectuar el circuito de la toma a tierra. Conecte el terminal del para la toma a tierra entre la arandela de seguridad y la tuerca con orejetas y apriete la tuerca completamente. Conecte firmemente el otro extremo del cable a una fuente de toma a tierra adecuada.

En el Código Eléctrico Nacional (<<National Electric Code>>) se indican algunos métodos prácticos para establecer una buena fuente para la toma a tierra. Los ejemplos que se indican a continuación ilustran algunos de estos métodos para establecer una toma a tierra adecuada.

Como fuente para la toma a tierra se puede utilizar un conducto metálico subterráneo para el paso de agua que se encuentre en contacto directo con el suelo y que tenga una extensión mínima de 10 pies. En caso de que no disponga de un tubo subterráneo, se puede utilizar un tubo o barra con una longitud de 8 pies como fuente para la toma a tierra. El tubo debería tener un tamaño estándar de 3/4 pulgadas como mínimo, y la superficie exterior debería ser resistente a la corrosión. En caso de que se utilice una barra de acero o hierro, el diámetro de la misma debería ser de 5/8 pulgadas como mínimo. Si se utiliza una barra de un material que no sea hierro, el diámetro de la misma debe ser de 1/2 pulgada como mínimo, y debe estar clasificado como un material adecuado para efectuar la toma a tierra. Introduzca la barra o el tubo a una profundidad de 8 pies. En caso de que el fondo empiece a ser rocoso a una profundidad inferior a cuatro pies, deberá enterrar el tubo o la barra en una zanja. Todas las herramientas e instrumentos eléctricos operados desde este generador deberán tener la toma a tierra adecuada. Para ello se habrá de utilizar un tercer cable, el cual deberá tener un <<Aislamiento Doble>>.

Se recomienda que:

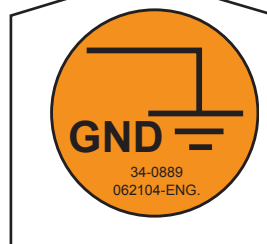
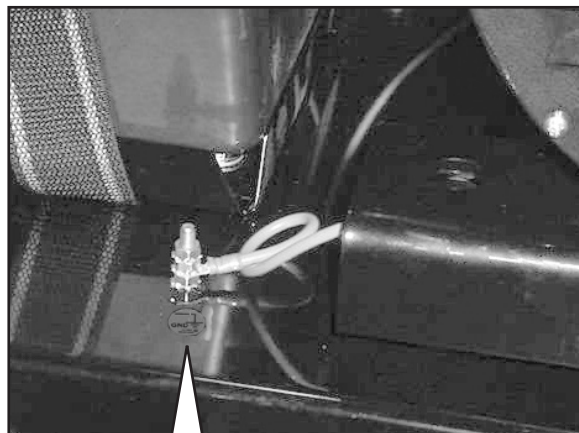
1. Use dispositivos eléctricos con cables eléctricos de 3 espigas.
2. Use un cable de extensión con 3 tomas y un enchufe de 3 espigas en los extremos opuestos, para asegurar la continuidad de la protección de la toma a tierra que va desde el generador hasta el aparato eléctrico.

Le recomendamos igualmente que se cumplan con todos los reglamentos nacionales, regionales y locales relacionados con las especificaciones de toma a tierra que resulten aplicables.

CONMUTADOR DE TRANSFERENCIA DE LINEA

Si este generador va a ser utilizado como servicio de reserva para casos de emergencia, será necesario que incorpore un conmutador de transferencia de línea entre el servicio de suministro eléctrico público y el generador. El conmutador de transferencia no sólo evita que la línea de suministro eléctrico público alimente al generador, sino que además impide que el generador alimente a las líneas de suministro de la compañía eléctrica. Se pretende con ello proteger a las personas encargadas del servicio cuando se encuentren trabajando en una línea que pueda estar dañada.

ESTA INSTALACIÓN DEBERÍA SER EFECTUADA POR UN ELECTRICISTA CERTIFICADO. SE DEBERA CUMPLIR CON TODOS LOS CÓDIGOS LOCALES.



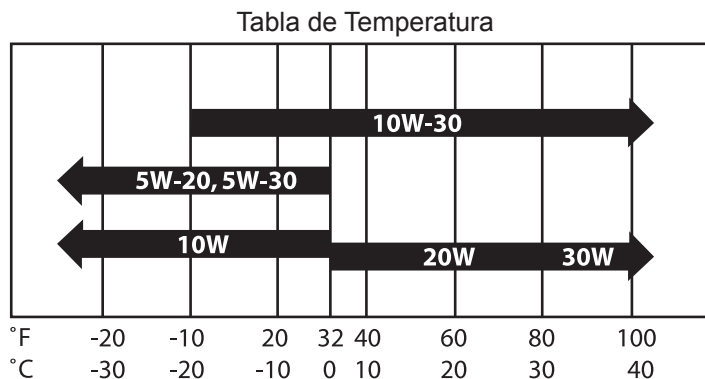
ANTES DE LA UTILIZACIÓN

ACEITE DEL MOTOR

El aceite es un factor muy importante que afecta el rendimiento y la vida de servicio. Emplee aceite detergente para automóviles de 4 tiempos.

Aceite recomendado: Emplee aceite de motor de 4 tiempos que satisfaga o exceda los requisitos para la clasificación de servicio API de SJ, SL, o equivalente. Compruebe siempre la etiqueta de servicio API del recipiente de aceite para asegurarse que incluye las letras SJ, SL, o equivalente.

Se recomienda el SAE 10W-30 para aplicaciones generales. Las otras viscosidades mostradas en la gráfica pueden utilizarse cuando la temperatura media de su zona está dentro del margen indicado. (véase la ilustración 1)



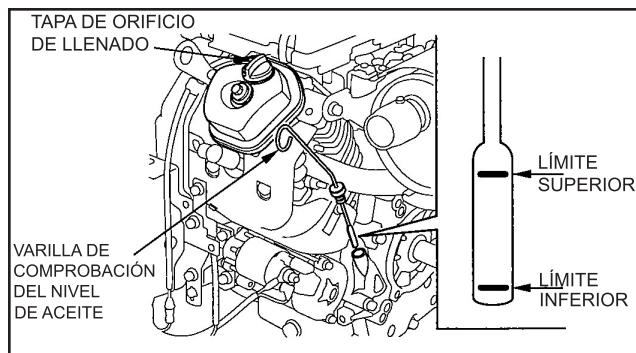
(ilustración 1)



PRECAUCIÓN: ESTE MOTOR VIENE DE FÁBRICA SIN ACEITE EN EL CÁRTER. ASEGURARSE DE CARGAR ACEITE ANTES DE PONER EL MOTOR EN MARCHA.

VOLUMEN DE ACEITE DEL MOTOR

# DE MODELO	LITROS	CUARTOS	ONZAS
GEN-13000-1MSE	1.5	1.6	52.5
GEN-14000-1MHE	1.8	1.9	60.9



(ilustración 2)


Para llenar con aceite:

1. Ponga en nivel el motor para asegurar de inspección adecuada para prevenir sobrellenando.
2. Extraiga la varilla de medición del nivel y frótelas para limpiarla.
3. Inserte a fondo la varilla de medición del nivel, y extráigala para comprobar el nivel de aceite.
4. Si el nivel de aceite es bajo, extraiga la tapa de relleno de aceite, y llene aceite del recomendado hasta la marca del límite superior de la varilla de medición del nivel.
5. Vuelva a instalar la varilla de medición del nivel y la tapa de relleno. (véase la ilustración 2)

NOTA: El motor puede dañarse si se utiliza con un nivel bajo de aceite.

El sistema de alerta de aceite Oil Alert (tipos aplicables) parará automáticamente el motor antes de que el nivel de aceite caiga por debajo del límite de seguridad. Sin embargo, para evitar la inconveniencia de una parada inesperada, compruebe siempre el nivel de aceite de motor antes de empezar.

CARGA DE COMBUSTIBLE

 **ADVERTENCIA: EL COMBUSTIBLE ES EXPLOSIVO! LA GASOLINA (NAFTA) ES UN FLUIDO EXTREMADAMENTE INFLAMABLE Y SUS VAPORES PUEDEN EXPLOTAR EN PRESENCIA DE UNA CAUSA DE IGNICIÓN.**

GUARDE EL COMBUSTIBLE EN RECIPIENTES APROBADOS ESPECIALMENTE PARA ELLO, EN LUGARES BIEN VENTILADOS, NO HABITADOS, Y ALEJADOS DE LLAMAS Y CHISPAS.

NO CARGUE COMBUSTIBLE CON EL MOTOR CALIENTE O EN MARCHA, YA QUE UN DERRAME PODRÍA INCENDIARSE SI ENTRA EN CONTACTO CON UNA PIEZA MUY CALIENTE O CON LA CHISPA DE UNA BUJÍA. NO ARRANCAR EL MOTOR CERCA DE COMBUSTIBLE DERRAMADO.

NO USE COMBUSTIBLE COMO LÍQUIDO LIMPIADOR.

 **ADVERTENCIA: NO CARGUE EN EXCESO EL TANQUE DE COMBUSTIBLE. DEJAR ESPACIO PARA LA EXPANSIÓN DEL COMBUSTIBLE.**

Recomendaciones generales

- Compre gasolina en cantidades moderadas y guardarlo en recipientes limpios especialmente aprobados para uso con combustible.
- Es recomendable no utilizar combustible que haya quedado del año anterior. Así se reducirá al mínimo la formación de sedimentos en el circuito de combustible y la máquina arrancará con más facilidad.
- No agregue aceite a la gasolina.

Tipo de combustible

- Para obtener óptimo rendimiento, usar gasolina limpia, sin contenido de plomo, y con un grado de octanaje de al menos 87.
- Es más conveniente utilizar gasolina sin plomo, ya que deja menos sedimentos en la cámara de combustión del motor.

MEZCLAS DE GASOLINA Y ALCOHOL:

Las mezclas de gasolina sin plomo y alcohol, también denominadas Gasohol o Alconafta, se pueden usar para motores (hasta el 10% de alcohol etílico y 90% de gasolina sin plomo, en proporción volumétrica). No use otros tipos de mezcla de alcohol y gasolina con el motor.

MEZCLAS DE GASOLINA Y ÉTER:

Las mezclas de gasolina sin plomo y éter terciario butilmetílico (MTBE) se pueden usar para motores (hasta un máximo del 15% de MTBE en proporción volumétrica). No use otros tipos de mezcla de gasolina y éter con el motor.

INSTALACIÓN DE BATERÍA



ADVERTENCIA: DEBERÁ HACER DE UN CONCESSIONARIO AUTHORIZADO DE MI-T-M.

DE REEMPLACE DE BATERÍA

#32-1077

ALTITUD ALTA

En altitud alta, la mezcla de aire/combustible del carburador estandard será demasiado rico. Función disminuirá y consumo de combustible aumentará. Una mezcla muy rica también fallará el chispero y causar empezando difícil. Operación a una altitud que es diferente de altitud donde el motor fue certificado, para una extensión de mucho tiempo, puede aumentar emisiones

Función de altitud alta puede mejorar de modificaciones especificos al carburador. Si siempre operar su generador a altitudes más de 5,000 pies (1500 metros), su concesionario haga esta función de modificación a carburador. Este motor, cuando operando a altitud alta con modificaciones a carburador para uso en altitud alta, encontrará cada estandard de emisión en toda vida de uso.

Con modificación de carburador, caballo de fuerza de motor disminuirá sobre 3.5% para cada 1,000 pies (300-metros) aumento en altitud. Este efecto de altitud en caballo de fuerza será más grande de este si no haga modificación de carburador.

NOTA: *Cuando el carburador modificó para operación sw altitud alta, la mezcla de aire/combustible será demasiado delgado para uso en altitud abajo. Operación a altitudes abajo de 5,000 pies (1500 metros) con carburador modificado causaría recalentado de motor y resultaría en daño serio de motor.*

Para uso a altitudes abajos, vuelva carburador a concesionario de servicio a especificados orginales de fábrica.

Operación

OPERACIÓN

Comienzo Eléctrico

NOTA: Lea manual de operador antes de operar esta unidad.
Asegúrese de bloquearlas para evitar que la unidad se mueva durante la operación. Siempre asegúrese que unidad sea plana y conecte a tierra correcto. Revise el aceite de motor antes de empezando.

1. Doble el interruptor del control de flojear a posición de OFF. (véase la ilustración 3)
2. Mueva palanca de choke a choke completo. (véase la ilustración 4)
3. Gire la llave a la posición START, y reténgala ahí durante hasta que se ponga en marcha el motor.
4. Cuando el motor se ponga en marcha, suelte la llave dejándola que retorne a la posición ON.

NOTA: No haga arrancar el motor continuamente por más de 30 segundos a la vez. Si el motor no arranca, dejarlo en reposo durante unos 3 minutos antes de volver a darle arranque con el interruptor. Si se ignora este procedimiento podría resultar averiado el motor del arrancador.

Si el arrancador no hace girar el motor, detener el procedimiento de arranque inmediatamente y solucionar el problema antes de volver a arrancar el motor. No trate de arrancar el motor haciendo un puente desde otra batería.

5. Mueva muy despacio la palanca de choke a no choke.
6. Permite la unidad a opere por dos (2) minutos para precalentamiento.
7. Examine recipiente(s) de GFCI en la unidad. Empuje el botón de exam. El botón de colocar debe saltar y no debe tener potencia al recipiente. Aplique una carga de examinar o luz a cada recipiente para verificar. SI BOTÓN DE COLOCAR NO SALTE, NO USE LOS RECIPIENTES. VEA CONCESIONARIO PARA SERVICIO INMEDIATAMENTE.
8. Si recipientes examine correcto, empuje el botón de colocar para restablecer potencia. Debe oír o sentir un taconazo distinto cuando este es completo. SI RECIPIENTES NO COLOCAR CORRECTO, NO USE RECIPIENTES. VEA CONCESIONARIO PARA SERVICIO INMEDIATAMENTE.
9. Si unidad tiene control de flojear a posición de ON. Ahora cargas pueden aplicar a la unidad.

NOTA: Estos motores están protegidos con un sistema que para el motor cuando el aceite alcanza un nivel muy bajo. El motor no volverá a arrancar si no se agrega aceite. Conduitar la parte "Aceite del motor" en la sección de "Preparación de la máquina".



(ilustración 3)



(ilustración 4)

PARADA DEL MOTOR

1. Quite todas cargas como desconecten cordones eléctricos y apagando aparatos eléctricos.
2. Permite el motor a operar a velocidad de flojear para enfriarse por dos (2) minutos.

NOTA: El motor podría dañarse si no se lo deja enfriar en vacío durante dos (2) minutos antes de pararlo.

3. Gire el interruptor del motor a la posición OFF.

CONTROLES

ALARMA DE NIVEL DE ACEITE:

NOTA: Estos motores están protegidos con un sistema que para el motor cuando el aceite alcanza un nivel muy bajo. El motor no volverá a arrancar si no se agrega aceite. Podría ocurrir que si el motor está muy inclinado, se detenga repentinamente aunque el nivel de aceite no haga bajado.

Antes de volver a arrancar el motor, revisar siempre el nivel de aceite. Si el mismo está inclinado, nivelarlo y volver a revisar el nivel antes del arranque.

PANEL DE CONTROL:

Los generadores vienen equipados con los siguientes elementos:

- Interruptor de Control de Flujo
- Contador de Hora
- Metro de Voltio
- Control de Marcha en Vacío
- Dos 125 Voltio, 20 amperio, Dúplex (2 tomacorrientes) Recipientes con protección de GFCI
- Uno 125 voltio, 30 amperio, Recipiente con retención
- Uno 125/250 voltio, 30 amperio, Recipiente con retención.
- Uno 125/250 voltio, 50 amperio, Recipiente con retención.

NOTA: Los receptáculos con retención, tanto de 125/250 voltios, 30 amperes; 125/250 voltios, 30 amperes como de 125/250 voltios, 50 amperes NO TIENEN PROTECCIÓN PRO FALLA A TIERRA. Si este tipo de protección fuera necesaria en estos receptáculos, se deben instalar disyuntores externos. En la sección de "Interruptor de circuitos por falla a tierra" se puede obtener más información sobre el tema.



ADVERTENCIA: NO SUPERAR LA CARGA NOMINAL DE UN RECEPTÁCULO. Los receptáculos están protegidos contra sobrecarga eléctrica mediante interruptores termomagnéticos con botón de reposición. Si un interruptor se dispara, descubrir y solucionar el problema antes de volver a conectar el interruptor.

CONTROLES

CONTADOR DE HORAS:

El contador de horas de estos generadores mide el tiempo que la máquina está en servicio. Esto es muy útil para programar tareas de mantenimiento. En el cuadro de mantenimiento periódico se ofrecen sugerencias para la programación del mantenimiento.

METRO DE VOLTIO:

Estos generadores son equipados con un metro de voltio. El metro de voltio se usa a monitorizar la unidad para voltaje correcto.

CONTROL DE MARCHA EN VACÍO:

El control de marcha en vacío viene instalado de fábrica, y es un dispositivo electrónico que comanda la economización de combustible durante la marcha en vacío del motor (sin carga), y pasa automáticamente a marcha gobernada a velocidad normal cuando se aplican cargas eléctricas. Cuando interviene el control de marcha en vacío, anula la intervención del gobernador de velocidad del motor. Al aplicar una carga, el circuito electrónico reacciona desenergizando el sistema de comando en vacío y vuelve a intervenir el gobernador de velocidad normal de servicio.

El control de marcha en vacío comanda la velocidad del motor de la siguiente manera:

1. Con interruptor del control de marcha en vacío en posición de OFF, arranque el motor.
2. Después de precalentar el motor durante un par de minutos, llevar el interruptor de control de marcha en vacío a la posición de marcha (ON). Después de un período de retardo de 5 a 8 segundos, el motor pasará a velocidad en vacío.
3. Cuando se aplica una carga al generador, el sistema de control en vacío se desenergiza automáticamente y el motor se acelera a velocidad normal comandado por el gobernador.
4. Al desconectarse la carga del generador, se vuelve a energizar el control de marcha en vacío y después de un retardo de 5 a 8 segundos, el motor pasa a velocidad en vacío.

NOTA: *Para reducir la temperatura del generador, su voltaje baja automáticamente cuando el motor está marchando en vacío. El voltaje recupera su valor normal inmediatamente después de la aplicación de una carga.*

CONTROLES**TAMAÑO DEL CABLE:**

Un voltaje bajo puede dañar el equipo. Por consiguiente, para evitar las caídas de tensión excesivas entre el generador y el equipo, el cable deberá tener el calibre adecuado para la longitud requerida. La tabla de datos para la selección del cable proporciona la longitud máxima para los distintos calibres de alambre que pueden tolerar las cargas indicadas a continuación.

CORRIENTE EN AMPERIOS	CARGA EN VATIOS		MAXIMA LONGITUD ADECUADA DE CABLE (ALAMBRE DE CABLE)				
	A 120 VOLTIOS	A 240 VOLTIOS	#8	#10	#12	#14	#16
2.5	300	600		1000 ft	600 ft	375 ft	250 ft
5	600	1200		500	300	200	125
7.5	900	1800		350	200	125	100
10	1200	2400		250	150	100	50
15	1800	3600		150	100	65	
20	2400	4800	175 ft	125	75	50	
25	3000	6000	150	100	60		
30	3600	7200	125	65			
40	4800	9600	90				

CARGAS DEL MOTOR ELECTRICO:

Una de las características de los motores eléctricos comunes es que, en el momento de arrancar, necesitan multiplicarse veces la potencia requerida para su funcionamiento. Ud. puede utilizar esta tabla para calcular los vatios requeridos para el arranque de los motores eléctricos de "CODE G" (CODIGO G).



PRECAUCIÓN: EN EL CASO DE QUE UN MOTOR NO ARRANQUE O NO ALCANCE LA VELOCIDAD NECESARIA PARA SU FUNCIONAMIENTO, DEBERÁ APAGAR INMEDIATAMENTE EL EQUIPO ELÉCTRICO O EL INSTRUMENTO PARA EVITAR DAÑOS A LOS MISMOS. SIEMPRE DEBERÁ COMPROBAR LOS REQUISITOS DEL INSTRUMENTO O EQUIPO ELÉCTRICO QUE SE VA A UTILIZAR, EN COMPARACIÓN CON LA CAPACIDAD NOMINAL DEL GENERADOR.

TAMAÑO DEL MOTOR (CV)	VATIOS DE FUNCIONAMIENTO	VATIOS REQUERIDOS PARA ARRANCAR EL MOTOR		
		REPULSIÓN DE INDUCCIÓN	CAPACITOR	FASE DIVIDIDA
1/8	275	600	850	1200
1/6	275	600	850	2050
1/4	400	850	1050	2400
1/3	450	975	1350	2700
1/2	600	1300	1800	3600
3/4	850	1900	2600	
1	1100	2500	3300	

Localización de Fallas

Síntoma

Problema

Soluciones

El motor no arranca.

Interruptor de motor está en posición de OFF.

Doble interruptor de motor a posición de ON.

El tanque de combustible está vacío.

Llene el tanque como las instrucciones de este manual.

Aceite del motor es inadecuado.

Revise el nivel del aceite. Este motor es equipado con un sensor de baja aceite. El motor no puede arrancar a menos que el nivel del aceite sea encima del bajo límite prescrito.

No chispa a bujía.

Sacar el capuchón de la bujía. Limpiar la suciedad existente en la base de la misma y quitar la bujía. Colocar la bujía en el capuchón. Girar el interruptor a la posición de arranque del motor.

Poner el electrodo en contacto con cualquier punto de masa del circuito del motor y tirar de la cuerda del arrancador para verificar si hay chispa en el electrodo. Si no hay chispa, cambiar la bujía.

Instalar la bujía y arrancar el motor siguiendo el procedimiento normal.

Consultar con un concesionario de Mi-T-M.

No hay salida de voltaje del generador.

Arranque de control de marcha en vacío.

Coloque control de marcha en vacío.

Serie de cordón o extensiones inadecuados.

Revise capacidades de series de cordón o extensiones en sección de Controles; Tamaño de Cable en este manual.

Consultar con un concesionario de Mi-T-M.

Servicio

MANTENIMIENTO

Mantener limpias las aberturas de ventilación.

Mantenga el generador limpiado. No rociar con agua.

Revisar periódicamente los tornillos y pernos, y ajustarlos en la medida de lo necesario (véase el cuadro de mantenimiento periódico).

REGISTRO DE PRUEBAS DE DISYUNTORES DE FALLA A TIERRA:

Al igual que otros dispositivos de seguridad, el GFCI incorporado a estos generadores requiere una inspección mensual para comprobar que funcione correctamente. Para someter el GFCI a prueba, siga las instrucciones y registre la fecha de la prueba en el cuadro que véase la ilustración más abajo.

1. Ponga el conmutador de control de marcha lenta en la posición <<START>> (arranque) (Si se encuentra equipado de esta manera). A continuación, oprima el botón <<TEST>> (prueba), lo cual hará que se levante el botón >><<RESET>> (posición inicial). Esto interrumpirá el suministro de electricidad hacia ambos toma corrientes del enchufe doble. Compruebe la interrupción una lámpara en cada tomacorrientes.



ADVERTENCIA: SI EL BOTÓN DE COLOCAR NO SALTE AFUERA, NO USE EL RECIPIENTE(S). VEA UN CONCESIONARIO AUTORIZADO DE Mi-T-M PARA SERVICIO INMEDIATAMENTE.

2. Si el resultado de la prueba indica que el GFCI funciona correctamente, conéctelo nuevamente a la electricidad presionando FIRMEMENTE el botón <<RESET>> (posición inicial) hasta que escuche con claridad un clic o sienta que ha vuelto a caer en posición.
3. La alta vibración o el efecto de cargas mecánicas severas pueden hacer que el GFCI se dispare. SI EL GFCI SE DISPARA POR SI MISMO EN CUALQUIER MOMENTO, vuelva a ponerlo en la posición inicial y póngalo a prueba según se indica en los puntos anteriores 1 y 2.
4. Para el segundo disyuntor de falla a tierra, repetir los pasos 1 a 3.



ADVERTENCIA: AUNQUE LOS PROCEDIMIENTOS DE EXAMEN ARRIBA INDICARÁN OPERACIÓN CORRECTO EN UN GENERADOR BAJO TIERRA O A TIERRA INCORRECTO, EL GENERADOR TIENE QUE TOMAR A TIERRA DE INSTRUCCIONES DE CONEXIÓN A TIERRA QUE ESTÁ EN UNA LISTA DE PÁGINA 78 PARA GFCI OPERE CORRECTO Y PARA PROTEJAR EL USADOR DE FALLAS ELÉCTRICAS.

Año	Ene.	Feb.	Mar.	Apr.	Mayo	Jun.	Jul.	Ago.	Sep.	Oct.	Nov.	Dic.

NOTA: Existen casos en los que el GFCI no ofrece protección contra el peligro de contacto con la electricidad, EJEMPLO: Si una persona toca dos conductores o más de un cordón eléctrico defectuoso y no se encuentra en contacto con la tierra, puede entonces experimentar un contacto con la electricidad. Dado que no existe una vía para que pase la corriente de pérdida a tierra, el GFCI no funcionará y puede ocasionar daños graves.

El GFCI es simplemente una característica de seguridad adicional. No existe ningún dispositivo que pueda reemplazar las buenas medidas de seguridad en las tareas eléctricas y el mantenimiento adecuado de los cables, del equipo y de las conexiones.

MANTENIMIENTO

COMPONENTES DE EMISIÓN EVAPORADO:

La unidad que compró incluir los componentes siguientes que son de acuerdo con los Estandares de Emisión Evaporado de California Air Resources Board.

Estandares de Emisión:

1. Manguera de combustible
2. Instalaciones de Manguera de combustible
3. Del tanque de combustible y la tapa
4. Carbon Canister y soportes de montaje

Estos componenetes deben tener inspección en un base diario para grietas, agujeros y uso abnormal. Si ocurrió las grietas, agujeros o uso abnormal, reemplace los componentes inmediatamente.

REGULACIÓN DE VELOCIDAD DEL CONTROL DE MARCHA EN VACIO:

NOTA: *La velocidad automática en vacío está calibrada entre 2550 y 2950 RPM.*

La velocidad de vacío viene regulada de fábrica y raramente necesita recalibración. Es recomendable llevar a cabo las regulaciones de este tipo en un concesionario de Mi-T-M.

Cuando se produce funcionamiento errático del motor en vacío, normalmente es indicación de que se debe regular el carburador. Si la velocidad en vacío es menor que el límite inferior recomendado o el carburador está mal regulado, el control de velocidad en vacío no funcionará normalmente.

**TENGA SERVICIO PARA SU UNIDAD DE UN
CONCESIONARIO AUTHORIZADO DE
MI-T-M.**

MANTENIMIENTO

MOTOR:

El motor de este generador está gobernado para funcionar a velocidades próximas a 3600 RPM (60Hz) durante la marcha dentro del rango de cargas admisibles. La velocidad del motor antes de la aplicación de la carga es levemente mayor que la velocidad baja carga, y normalmente está regulada a 3750 RPM.



ADVERTENCIA: NO ALTERAR EL MECANISMO DEL GOBERNADOR DE VELOCIDAD DE LA MÁQUINA, NI CAMBIAR SU CALIBRACIÓN PARA EXPERIMENTAR, NI ABRIR AL MÁXIMO EL ACELERADOR PARA TRATAR DE GENERAR MÁS POTENCIA ELÉCTRICA, YA QUE SE PUEDE DAÑAR EL EQUIPO O CAUSAR ACCIDENTES PERSONALES.

LA REGULACIÓN DEL GOBERNADOR DE VELOCIDAD SE DEBE LLEVAR A CABO ÚNICAMENTE EN UN CONESIONARIO DE MI-T-M.

INSPECCIÓN DEL NIVEL DE ACEITE:

Antes de ponga en marcha la máquina, revise siempre el nivel de aceite y mantener el nivel siguiendo las pautas de la sección Preparación de la Generador; Capacidad Del Aceite De Motor.

CAMBIO DE ACEITE DEL MOTOR:

Cambie el aceite después de las primeras 20 horas de funcionamiento, y después hacerlo cada 100 horas.

1. Asegúrese que la unidad está en tierra nivel. Drene el aceite usado cuando el motor esté caliente. El aceite caliente se drena con más rapidez y por completo.
2. Pare el motor.
3. Ponga un recipiente adecuado debajo del motor para recibir el aceite usado, y extraiga entonces la tapa de relleno, el perno de drenaje y la arandela. (véase la ilustración 6)



PRECAUCIÓN: EL ACEITE PODRÍA ESTAR MUY CALIENTE. TOMAR PRECAUCIONES PARA EVITAR LESIONES PERSONALES. DESECHAR EL ACEITE USADO SEGÚN LOS REGLAMENTOS VIGENTES.

4. Deje que el aceite usado se drene por completo, y vuelva a instalar entonces el perno de drenaje y una arandela nueva, y apriete con seguridad el perno de drenaje.

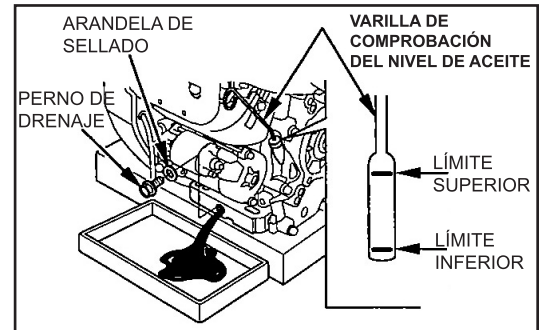
Tire el aceite de motor usado de manera que sea compatible con el medio ambiente. Le aconsejamos que lleve el aceite usado en un recipiente cerrado al centro de reciclaje de su localidad o a una gasolinera para que se encarguen de su eliminación. No lo tire a la basura, no lo derrame a la tierra, ni tampoco por una cloaca.

5. Teniendo el motor en una posición nivelada, rellene aceite del recomendado hasta la marca del límite superior de la varilla de medición del nivel.

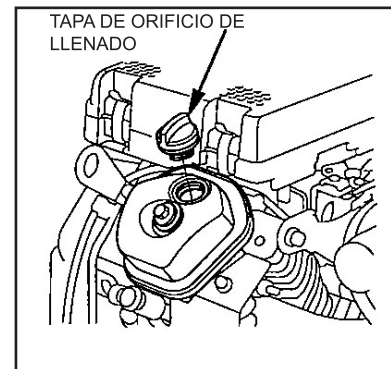
NOTA: El motor puede dañarse si se utiliza con un nivel bajo de aceite.

El sistema de alerta de aceite Oil Alert (tipos aplicables) parará automáticamente el motor antes de que el nivel de aceite caiga por debajo del límite de seguridad. Sin embargo, para evitar la inconveniencia de una parada inesperada, llene hasta el límite superior, y compruebe con regularidad el nivel del aceite.

6. Vuelva a instalar con seguridad la tapa de relleno y la varilla de medición del nivel. (véase la ilustración 7)



(ilustración 6)



(ilustración 7)

MANTENIMIENTO DEL GENERADOR

FILTRO DE AIRE:

ADVERTENCIA: LIMPIE EL ELEMENTO DEL FILTRO EN UN ÁREA BIEN VENTILADA. ASEGURARSE DE QUE NO HAYAN ELEMENTOS QUE PRODUZCAN CHISPAS NI LLAMAS EN LAS CERCANÍAS DEL LUGAR DE TRABAJO, INCLUYENDO LLAMAS PILOTO. NO USE COMBUSTIBLES NI SOLVENTES DE BAJO PUNTO DE IGNICIÓN PARA LIMPIAR EL ELEMENTO DEL FILTRO, YA QUE SE PONDRÍA A GENERAR UN INCENDIO O UNA EXPLOSIÓN.

PRECAUCIÓN: NO PONGA EL MARCHA EL MOTOR SIN EL FILTRO DE AIRE, YA QUE SE PODRÍAN CAUSAR SERIAS AVERÍAS.

Inspeccione el estado del filtro de aire todos los días, o antes de arrancar el motor. No permite que se acumule suciedad ni residuos en el filtro, y cambiar los componentes que se encuentren dañados.

1. Libere las dos lengüetas de enganche o quite la tuerca de ala de la cubierta del filtro de aire, y extraiga la cubierta. (véase la ilustración 7)
2. Extraiga el filtro de papel y filtro de espuma de la cubierta.
3. Extraiga el filtro de espuma de la filtro de papel. (si es aplicable)
4. Inspeccione los dos elementos del filtro de aire, y reemplácelos si están dañados.
5. Limpie los elementos del filtro de aire si debe volver a utilizarlos:

PREFILTRO DE ESPUMA SINTÉTICA: Lave el prefiltro y el filtro de espuma sintética con una solución tibia de agua y detergente. Dejar escurrir el agua, pero sin estrujar los elementos. Dejar secar a la aire el prefiltro y el filtro.

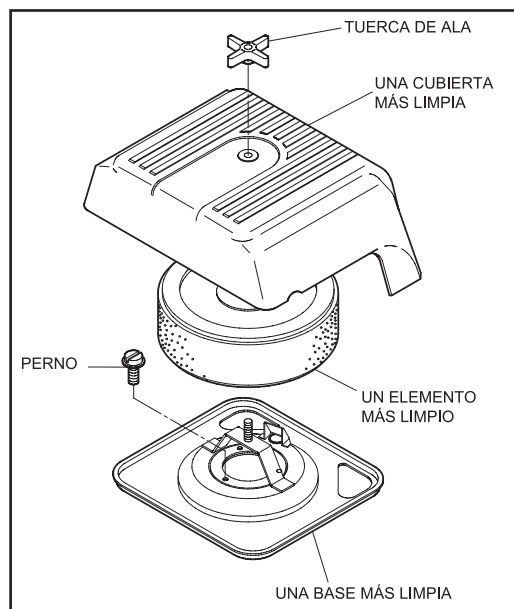
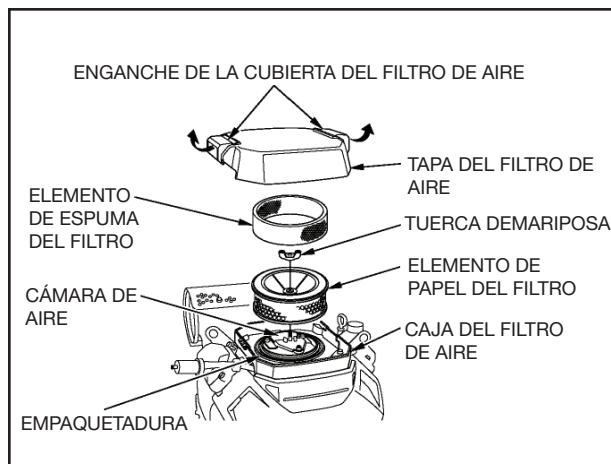
Embeber el prefiltro con aceite de motor nuevo, dejando escurrir el excedente. NO poner aceite de motor en el filtro de espuma sintética.

NOTA: Limpie el prefiltro y el filtro de espuma sintética cada 25 horas de servicio (o con mayor frecuencia si las condiciones de servicio son extremadamente polvorientas o sucias).

ELEMENTO FILTRANTE DE PAPEL: No lave el filtro de papel ni limpiarlo con aire comprimido, ya que se pondría dañar. Simplemente golpearlo y sacudirlo con suavidad para eliminar el polvo. Cambiar el filtro de papel si estuviera dañado, doblado o muy sucio. Manejar con cuidado el filtro de papel nuevo, y no usarlo si las superficies de unión estuvieran dobladas o averiadas.

NOTA: Cambie el filtro de papel cada 100 horas de servicio (o con mayor frecuencia si las condiciones de servicio son extremadamente polvorientas o sucias).

6. Frote la suciedad desde el interior del cuerpo del filtro de aire y la cubierta, empleando un paño humedecido. Tenga cuidado para evitar que la suciedad se introduzca en la cámara de aire que va al carburador.
7. Ponga el elemento de espuma del filtro de aire en la cubierta del filtro de aire, e instale luego el elemento de papel del filtro de aire y la cubierta en la caja del filtro de aire. Enganche con seguridad las cuatro lengüetas de enganche.



(ilustración 7)

MANTENIMIENTO DEL GENERADOR

LIMPIEZA Y CALIBRACIÓN DE LUZ DE BUJÍA:

Si tapón sea contaminado con carbono, lo evite usando una limpieza de tapón o cepilla de alambre.

Revise espacio de chispero y colocar si es necesario. Los espacios de chispero están en una lista abajo. Para cambiar el espacio, torcer sólo el lado-electrodo, usando herramienta de chispero. (ilustración 8)

Instale y aprete el chispero. Conecte el cable de chispero.

Chispero Recomendado:

MOTOR	SUBARU	HONDA
CHISPERO	NGK BP6ES	NGK ZFR5F
ESPACIO DE CHISPERO	0.7 Milímetros (0.03 pulgadas)	
ESFUERZO DE TORSIÓN-NUEVO	8.7-10.9 pie-libra	
ESFUERZO DE TORSIÓN-REAPRETE	16.6-19.5 pie-libra	

ARRESTADOR DE CHISPA:

Si generador había funcionando, el moefle será muy calor. Permite enfriarse antes de avanzando.

NOTA: Evite y limpie arrestador de chispa cada 100 horas o como necesario.

NOTA: Usadores de producto en tierra de servicio en Los Estados Unidos y en algunos estados , tienen que cumplir con regulaciones de prevención de fuegos.

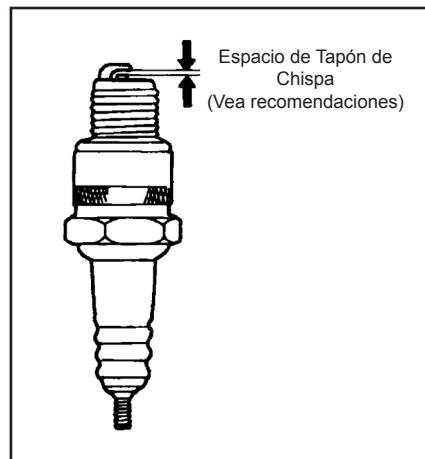
Limpie el arrestador de chispa como siguiente: (ilustración 9 y 10)

1. Extraiga el tornillo del silenciador y extraiga el parachispas.
2. Emplee un cepillo para sacar la carbonilla acumulada en la rejilla del parachispas. Tenga cuidado para no dañar la rejilla.

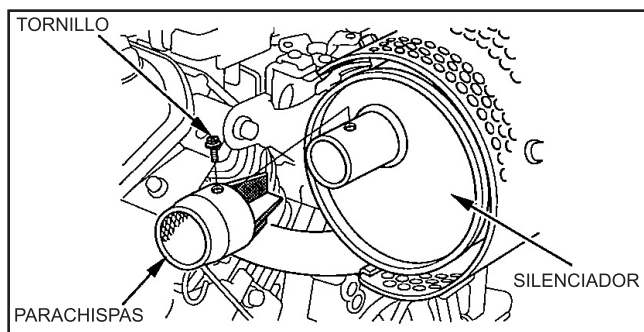
El parachispas deberá estar exento de roturas y agujeros. Reemplace el parachispas si está dañado.

3. Instale el parachispas y el protector del silenciador en el orden inverso al del desmontaje.

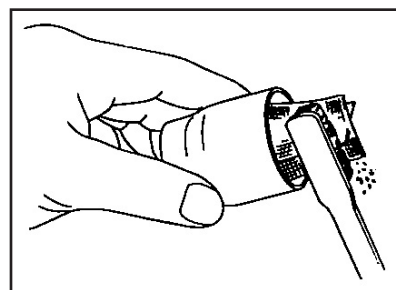
Arrestadores de chispa son faciles de conseguir de su concesionario local de Mi-T-M. Otros requisitos de usar pueden aplicar, revisar y hablar con su autoridades local, Federal, o Estado.



(ilustración 8)



(ilustración 9)



(ilustración 10)

MANTENIMIENTO

CUADRO DE MANTENIMIENTO PERIÓDICO:

El mantenimiento de un motor a intervalos regulares asegura su funcionamiento satisfactorio por largos periodos. En el siguiente cuadro de mantenimiento periódico se indican los elementos a inspeccionar y mantener, y la frecuencia de ejecución de las tareas, que está marcada con un punto alineado con la tarea involucrada.

NOTA: Para ciertas tareas de regulación y calibración es necesario utilizar herramientas y equipos especiales. Para calibrar la velocidad en vacío y de servicio, es sumamente conveniente contar con un tacómetro electrónico.

	Diario	Cada 25 horas	Cada 100 horas	Cada 200 horas	Antes de almacenar
Inspeccionar nivel de combustible	•				
Inspeccionar nivel de aceite del motor	•				
Inspeccionar estado de tornillos y tuercas	•				
Inspección para detectar pérdidas	•				
Inspección de limpieza de aletas de cilindro y tapa de cilindros	•				
Inspección de línea de combustible (cambiar si fuera necesario)	•				
Limpieza del elemento de espuma del filtro de aire (**)		•			
Ajuste de tuercas y tornillos (*)			•		
Cambio de aceite del motor (*)			•		
Limpieza del filtro de combustible			•		
Cambio del elemento de papel del filtro de aire (**)			•		
Limpieza de aletas de cilindro y tapa de cilindros (**)			•		
Limpieza y calibración de luz de bujía				•	
Agregar estabilizador de combustible					•
Dejar la unidad marcha hasta consumir el combustible					•

* Ejecutar estas tareas después de las primeras cinco (5) horas de servicio, y después con la frecuencia indicada.

** Aumentar la frecuencia si la unidad trabaja en ambientes muy polvorientos.

NOTA: Estas tareas se deben ejecutar con las herramientas adecuadas. A menos que el usuario tenga el conocimiento y las herramientas necesarias, llevar la unidad al servicio técnico de un concesionario de Mi-T-M.

Almacenamiento

ALMACENAMIENTO

A CORTO PLAZO (1 a 6 meses):

1. Agregue acondicionador y estabilizador de combustible, con la concentración adecuada.
2. Ponga en marcha la unidad durante dos (2) minutos para asegurar que la mezcla de combustible se distribuya en todo el circuito. Cierre la válvula de combustible y dejar en marcha la unidad hasta que se detenga.
3. Seque la bujía, ponga directamente en el cilindro una o dos cucharadas (5 a 10 centímetros cúbicos) de aceite para motor, tirar lentamente 2 o 3 veces de la cuerda del arrancador, colocar la bujía y ajustarla firmemente.
4. Limpie la superficie externa del generador y aplique una capa de inhibidor de corrosión.
5. Almacene el generador en un lugar seco y bien ventilado.

A LARGO PLAZO (Más de 6 meses):

1. Agregue acondicionador y estabilizador de combustible, con la concentración adecuada.
2. Ponga en marcha la unidad hasta se consuma el combustible en el tanque y en el carburador. Cuando el motor está aminorando la marcha, lleve la palanca del cebador a la posición de cebado.

NOTA: Anular el control de marcha en vacío para reducir el tiempo en marcha.

3. Seque la bujía, poner directamente en el cilindro una o dos cucharadas (5 a 10 centímetros cúbicos) de aceite para motor, tirar lentamente 2 o 3 veces de la cuerda del arrancador, colocar la bujía y ajustarla firmemente.
4. Limpie la superficie externa del generador y aplique una capa de inhibidor de corrosión.
5. Almacene el generador en un lugar seco y bien ventilado.



ADVERTENCIA: VACIE EL COMBUSTIBLE EN UN ÁREA BIEN VENTILADA Y GUARDARLO EN UN RECIPIENTE APROBADO PARA DICHO USO.

Especificaciones

ESPECIFICACIONES

ARTÍCULO	ESPECIFICACIÓN	
	GEN-14000-1MHE	GEN-13000-1MSE
Motor Honda	Honda	Subaru
Potencia Nominal (Vatios CA)	14,000 vatios	13,000 vatios
Potencia Nominal Intermitente (Vatios CA)	12,000 vatios	11,500 vatios
Voltaje Nominal (CA)	120/240V	120/240V
Corriente Nominal (AMP)	100/50	108.3/54.2
Regulación de Voltaje	83.3/41.7	95.8/47.9
Frecuencia	60	60
Capacidad del Tanque de Combustible	50.0 L	51.10 L
Horas de Servicio por Tanque de Combustible*	8.0 horas	8.8 horas
Batería de Arranque eléctrico	#32-1077	

* A carga nominal

NOTA: Las capacidades nominales de las diferentes unidades se basan en el funcionamiento bajo condiciones normales de 15.56°C, estando situadas a nivel del mar. El rendimiento del generador requiere una modificación de su capacidad nominal en función de la temperatura y de la altitud, a razón del 1% por cada 5.56°C sobre 15.56°C, y a razón del 3.5% por cada 304.80 metros sobre el nivel de mar. Debido a las características del funcionamiento del interruptor de circuito de tipo térmico, *dism*

Debido a los esfuerzos realizados por mejorar continuamente nuestros productos, las especificaciones pueden cambiar sin aviso.


ANOTE NÚMERO SERIE

Escriba número de modelo, número serie de máquina (vea etiqueta de número serie (A) en ilustración y fecha de compra en espacios abajo. Su concesionario necesita esta información cuando ordenando partes.

Num. de modelo _____

Num. serie de máquina _____

Fecha de compra _____
(llene de comprador)

GENERATOR			
MODEL NO.	<input type="text"/>	SERIAL NO.	<input type="text"/>
CONTINUOUS OUTPUT, W	<input type="text"/>	DATE CODE	<input type="text"/>
VOLT, V	<input type="text"/>	INSULATION CLASS	<input type="text"/>
AMP, A	<input type="text"/>	RATED RPM	<input type="text"/>
FREQUENCY, Hz	<input type="text"/>	MAX. AMBIENT TEMP., °C	<input type="text"/>
 FOR ELECTRICAL EQUIPMENT ONLY POUR MATERIEL ELECTRIQUE SEULEMENT			
201473		Made in U.S.A.	34-0075-100300-ENG.

Garantía

DECLARACIÓN DE GARANTÍA

Mi-T-M garantiza que todas las piezas (excepto aquellas a las que se hace referencia abajo), de su nueva generador libres de defectos en materiales y mano de obra durante los periodos siguientes:

Por dos (2) año a partir de la fecha original de compra.

Las piezas defectuosas que no están sujetas a deterioro causado por el uso serán reparadas o reemplazadas a nuestra opción durante el periodo de garantía. En todo caso, el reembolso está limitado al precio de compra pagado.

EXCLUSIONES

1. El motor está cubierto bajo una garantía por separado que su respectivo fabricante ofrece y queda sujeto a los términos establecidos en dicha garantía.
2. Esta garantía no cubre las piezas que son dañadas debido al desgaste normal, aplicación incorrecta, uso erróneo, operación en otro que recomendado. La falta de seguir funcionar recomendado y los procedimientos de mantenimiento anular la garantía también.
3. El uso de otras piezas de reparación genuinas del fabricante anulará la garantía.
4. Las piezas vueltas, pagado por adelantado a nuestra fábrica o a un centro de servicio autorizado de Mi-T-M serán examinadas y reemplacen gratuitamente si estan encontradas para ser defectuosas y conforme a garantía. No hay garantías que extienden más de la descripción de la cara de esto. Debajo de ningunas circunstancias el fabricante tendrá algo responsibilidad de perdida de uso de la unidad, la perdida de tiempo o de alquiler, la inconveniencia, la perdida comercial o los daños consecuentes.

PARA SERVICIO O CONSIDERACION DE LA GARANTIA CONSULTE CON:
Mi-T-M® Corporation/50 Mi-T-M Drive, Box 50/Peosta, IA 52068-0050
Telefono: 563-556-7484 / 800-553-9053 / Fax 563-556-1235
Lunes - Viernes 8:00 a.m. - 5:00 p.m. CST

DECLARACION DE COBERTURA DE EMISIONES DE CALIFORNIA SUS DERECHOS DE GARANTIA Y OBLIGACIONES

La Tabla de Recursos Aéreos de California y MI-T-M están felices para explicar la garantía de sistema de control de emisiones en su 2020/2021 modelo del pequeño motor todoterreno (PMT). En California, Pequeños Motores Todoterreno (PMTs) nuevos tienen que ser diseñados, construidos y equipados para conformar a los estándares rigurosos de no-niebla con humo del estado. Mi-T-M debe justificar el sistema de control de emisiones en su PMT por los períodos de tiempo indicados abajo a condición que no ha habido abuso, negligencia ni el mantenimiento impropio de su PMT.

Su sistema de control de emisiones puede incluir partes como el carburador, sistema de inyección de combustible, sistema de ignición, catalizador, tanques de combustible, líneas de combustible, capas de combustible, válvulas, botes, filtros, mangueras de vapor, abrazaderas, conectores, y otros componentes asociados relacionados a la emisión. Donde existe una condición de la garantía, Mi-T-M reparará su PMT en ningún costo a usted, incluyendo diagnóstico, las piezas, y trabajo.

COBERTURA DE GARANTIA DE FABRICANTE

Este sistema de control de emisiones tiene garantía durante dos años. Si cualquier parte que está relacionada a emisiones en su motor es defectuosa, la parte será reparada o será reemplazada por Mi-T-M.

RESPONSABILIDADES DE GARANTIA DEL PROPIETARIO

-Como el propietario del Pequeño Motor Todoterreno, usted es responsable de la ejecución del mantenimiento necesario indicado en su manual de propietario. Mi-T-M recomienda que usted retenga todos recibos sobre el mantenimiento de su PMT, pero Mi-T-M no puede negar de garantía solo para la falta de recibos.

-Como el propietario del Pequeño Motor Todoterreno, usted debe saber que Mi-T-M puede negar cobertura de garantía si su Pequeño Motor Todoterreno o una pieza ha fracasada a causa de abuso, negligencia o el mantenimiento impropia o las modificaciones desaprobadas.

-Usted es responsable de presentar su Pequeño Motor Todoterreno al centro de distribución o centro de reparaciones autorizado por Mi-T-M Corporation, 50 Mi-T-M Drive, Peosta, IA 52068 (Mi-T-M) en pronto que un problema exista. Las reparaciones de garantía deben ser completadas en una cantidad razonable de tiempo, no exceder 30 días.

Si usted tiene una pregunta con respecto a su cobertura de garantía, usted debe contactar el Departamento de Servicio para Clientes de Mi-T-M en 1-800-553-9053 o por correo electrónico a corp@mitm.com.

COBERTURA GENERAL DE GARANTIA DE EMISIONES

-Sólo California-

Mi-T-M justifica al último comprador y cada comprador subsiguiente que el Pequeño Motor Todoterreno PMT (1) ha sido diseñado, construido y equipado para conformarse con todas regulaciones aplicables; y (2) es libre de defectos en materias y disfraz que causa el fracaso de una pieza garantizado conformarse con esas regulaciones como puede ser aplicable a los términos y condiciones que son indicados abajo.

- (a) El período de garantía empieza en la fecha que el motor está entregado a un último comprador o cuando está primero puesto en servicio. El período de garantía es dos años.
- (b) Sujeto a ciertas condiciones y exclusiones como indicadas abajo, la garantía de piezas relacionadas a emisiones es el siguiente:
- (1) Cualquier pieza garantizada que no está programado para el reemplazo como mantenimiento necesario en su manual de propietario está garantizado para el período de garantía indicado arriba. Si la pieza fracasa durante el período de cobertura de garantía, la pieza será reparada o será reemplazada por Mi-T-M según la subdivisión (4) abajo. Cualquiera pieza reparada o reemplazada bajo la garantía será garantizada para el resto del período.
 - (2) Cualquier pieza garantizada que está programada sólo para inspección regular en su manual de propietario está garantizada para el período de garantía indicada arriba. Cualquiera pieza reparada o reemplazada bajo la garantía será garantizada por el resto del período de garantía.
 - (3) Cualquier pieza garantizada que está programada para el reemplazo como mantenimiento necesario en su manual de propietario está garantizado para el período del tiempo antes de la primera fecha planificada de reemplazo para esa pieza. Si la pieza fracasa antes del primer reemplazo planificado, la pieza será reparada o será reemplazada por Mi-T-M según la subdivisión (4) abajo. Cualquiera pieza reparada o reemplazada bajo la garantía será garantizada por el resto del período de garantía antes del primer punto planificado de reemplazo para la pieza.
 - (4) Reparación o el reemplazo de alguna pieza garantizada bajo las provisiones de garantía en este debe ser realizado en una estación de garantía sin cargo al propietario.
 - (5) Sin perjuicio de lo dispuesto en esta, los servicios de garantía y de reparación serán proporcionados en todos nuestros centros de distribución que tengan la franquicia para atender a los motores sujetos.
 - (6) El propietario no debe ser cargado para trabajo diagnóstico que lleva a la determinación que una pieza garantizada es de hecho defectuosa, con tal de que el trabajo diagnóstico sea realizado en una estación de garantía.
 - (7) A través del período de garantía de motor que está indicado arriba, Mi-T-M mantendrá un suministro de piezas garantizadas suficientes para satisfacer la demanda esperada para tales partes.
 - (8) Cualquier pieza reemplazada puede ser utilizada en la ejecución de cualquier mantenimiento de garantía o reparaciones y debe ser proporcionado sin cargo al propietario. Tal uso no reducirá las obligaciones de garantía de Mi-T-M.

(9) Las piezas añadidas o modificadas que no están eximidas por la Tabla de Recursos Aéreos no pueden ser utilizadas. El uso de cualquier pieza añadida o modificada que no está eximida por el último comprador será razón para no permitir o aceptar un reclamo de la garantía. Mi-T-M no será responsable a garantizar los fracasos de piezas garantizadas causados por el uso de una pieza añadida o modificada que no está eximida.

(10) Mi-T-M proporcionará cualquier documento que describa los procedimientos o políticas de garantía de Mi-T-M dentro de los cinco días hábiles posteriores a la solicitud del Director Ejecutivo.

(C) Piezas que tienen Garantía

La reparación o el reemplazo de cualquier parte garantizada de otro modo elegible para la cobertura de garantía pueden ser excluidos de tal cobertura de garantía si Mi-T-M demuestra que el motor ha sido abusado, descuidado, o mantenido incorrectamente, y que el abuso, negligencia, o mantenimiento impropio fue el causo directo de la necesidad para la reparación o reemplaza de la pieza. Sin embargo, cualquier ajuste de un componente que tiene un dispositivo de la limitación de ajuste que ha sido instalado por la fábrica y está funcionando apropiadamente todavía está elegible para la cobertura de la garantía. Las siguientes piezas de garantía de emisiones están garantizadas:

- (1) Tanque de Combustible
- (2) Tapa de Tanque de Combustible
- (3) Líneas de Combustible (para combustible líquido y vapores de combustible)
- (4) Accesorios de Líneas de Combustible
- (5) Abrazaderas*
- (6) Válvulas Limitadoras de Presión*
- (7) Válvulas de Control*
- (8) Control de Solenoides*
- (9) Controles Electrónicos*
- (10) Diafragmas de Control de Vacío*
- (11) Cables de Control*
- (12) Enlaces de Control*
- (13) Válvula de Purga*
- (14) Juntas*
- (15) Separador de Líquido/Vapor
- (16) Depósito De Carbón
- (17) Depósito de Soporte de Montaje
- (18) Conector de Puerto de Purga del Carburador

*Nota: Al estar estos relacionados con el sistema de control de emisiones por evaporación.

